

**F4B
F5A
F6C**

OWNER'S MANUAL

▲ Read this manual carefully before operating this outboard motor.

6EC-F8199-73-E0

Read this manual carefully before operating this outboard motor. Keep this manual onboard in a waterproof bag when boating. This manual should stay with the outboard motor if it is sold.


Important manual information

EMU25108

To the owner

Thank you for selecting a Yamaha outboard motor. This Owner's Manual contains information needed for proper operation, maintenance and care. A thorough understanding of these simple instructions will help you obtain maximum enjoyment from your new Yamaha. If you have any question about the operation or maintenance of your outboard motor, please consult a Yamaha dealer.

In this Owner's Manual particularly important information is distinguished in the following ways.

 : This is the safety alert symbol. It is used to alert you to potential personal injury hazards. Obey all safety messages that follow this symbol to avoid possible injury or death.

EWM00782

WARNING

A WARNING indicates a hazardous situation which, if not avoided, could result in death or serious injury.

ECM00702

NOTICE

A NOTICE indicates special precautions that must be taken to avoid damage to the outboard motor or other property.

TIP:

A TIP provides key information to make procedures easier or clearer.

Yamaha continually seeks advancements in product design and quality. Therefore, while this manual contains the most current product information available at the time of printing, there may be minor discrepancies

between your machine and this manual. If there is any question concerning this manual, please consult your Yamaha dealer.

To ensure long product life, Yamaha recommends that you use the product and perform the specified periodic inspections and maintenance by correctly following the instructions in the owner's manual. Any damage resulting from neglect of these instructions is not covered by warranty.

Some countries have laws or regulations restricting users from taking the product out of the country where it was purchased, and it may be impossible to register the product in the destination country. Additionally, the warranty may not apply in certain regions. When planning to take the product to another country, consult the dealer where the product was purchased for further information.

If the product was purchased used, please consult your closest dealer for customer registration, and to be eligible for the specified services.

TIP:

The F4BMH, F5AMH, F6CMH and the standard accessories are used as a base for the explanations and illustrations in this manual. Therefore some items may not apply to every model.

EMU45000

**F4B, F5A, F6C
OWNER'S MANUAL
©2017 by Yamaha Motor Co., Ltd.
1st Edition, December 2017
All rights reserved.
Any reprinting or unauthorized use
without the written permission of
Yamaha Motor Co., Ltd.
is expressly prohibited.
Printed in Thailand**

Table of contents

Safety information	1	Anti-fouling paint	12
Outboard motor safety.....	1	Outboard motor disposal	
Propeller.....	1	requirements.....	12
Rotating parts.....	1	Emergency equipment.....	12
Hot parts	1		
Electric shock.....	1	Components	13
Engine shut-off cord (lanyard).....	1	Components diagram	13
Gasoline	1	Fuel tank (built-in fuel tank)	13
Gasoline exposure and spills	1	Fuel tank (portable fuel tank)	14
Carbon monoxide	2	Fuel cock.....	14
Modifications.....	2	Tiller handle	15
Boating safety	2	Gear shift lever	15
Alcohol and drugs	2	Throttle grip	16
Personal flotation devices (PFDs)	2	Throttle indicator	16
People in the water	2	Throttle friction adjuster	16
Passengers.....	2	Engine shut-off cord (lanyard) and	
Overloading.....	2	clip	17
Avoid collisions	2	Engine stop button	17
Weather	3	Pull-type choke knob	17
Passenger training	3	Fuel joint cap	18
Boating safety publications.....	3	Manual starter handle.....	18
Laws and regulations	3	Steering friction adjuster	18
		Trim rod (tilt pin)	19
General information	4	Tilt lock mechanism	19
Identification numbers record	4	Tilt support bar	19
Outboard motor serial number.....	4	Cowling lock lever	19
EC Declaration of Conformity		Carrying handle	20
(DoC).....	4		
CE Marking	4	Installation	21
Read manuals and labels.....	6	Installation.....	21
Warning labels	6	Mounting the outboard motor	21
		Clamping the outboard motor.....	23
Specifications and requirements	9		
Specifications.....	9	Operation	24
Installation requirements.....	10	First-time operation	24
Boat horsepower rating.....	10	Fill engine oil.....	24
Mounting the outboard motor.....	10	Breaking in engine.....	24
Battery requirements	10	Getting to know your boat	24
Propeller selection	10	Checks before starting engine	24
Start-in-gear protection	11	Fuel level	25
Engine oil requirements	11	Removing top cowling.....	25
Fuel requirements	11	Fuel system	25
Gasoline	11	Controls.....	25
		Engine shut-off cord (lanyard)	26

Table of contents

Engine oil.....	26	Maintenance chart 1.....	50
Engine	27	Maintenance chart 2.....	52
Installing top cowling	27	Greasing	53
Filling fuel	28	Cleaning and adjusting spark plug...	54
Operating engine.....	29	Checking fuel filter	54
Sending fuel	30	Inspecting idle speed	55
Starting engine	31	Changing engine oil.....	55
Checks after starting engine	33	Checking electrical connectors and electrical leads	57
Cooling water	33	Checking propeller	57
Warming up engine	34	Removing propeller	58
Warming up.....	34	Installing propeller	58
Checks after engine warm up	34	Changing gear oil	59
Shifting	34	Inspecting and replacing anode (external)	60
Stop switches.....	34		
Shifting	34		
Stopping boat	35	Trouble Recovery.....	61
Stopping engine.....	35	Troubleshooting.....	61
Procedure.....	35	Temporary action in emergency ...	63
Trimming outboard motor	36	Impact damage	63
Adjusting trim angle for manual tilt models	37	Starter will not operate	63
Adjusting boat trim.....	37	Emergency engine starting.....	64
Tilting up and down	38	Treatment of submerged motor....	66
Procedure for tilting up	39		
Procedure for tilting down.....	40		
Shallow water	40	INDEX.....	67
Cruising in shallow water	40		
Cruising in other conditions	42		
Maintenance	43		
Transporting and storing outboard motor.....	43		
Dismounting and transporting the outboard motor.....	43		
Storing outboard motor.....	46		
Procedure.....	46		
Lubrication	48		
Cleaning the outboard motor	48		
Checking painted surface of outboard motor.....	48		
Periodic maintenance	49		
Replacement parts	49		
Severe operating conditions	49		

Safety information

EMU33623

Outboard motor safety

Observe these precautions at all times.

EMU336502

Propeller

People can be injured or killed if they come in contact with the propeller. The propeller can keep moving even when the motor is neutral, and sharp edges of the propeller can cut even when stationary.

- Stop the engine when a person is in the water near you.
- Keep people out of reach of the propeller, even when the engine is off.

EMU40272

Rotating parts

Hands, feet, hair, jewelry, clothing, personal flotation device (PFD) straps, etc., can become entangled with internal rotating parts of the engine, resulting in serious injury or death.

Keep the top cowling in place whenever possible. Do not remove or replace the top cowling with the engine running.

Only operate the engine with the top cowling removed according to the specific instructions in the manual. Keep hands, feet, hair, jewelry, clothing, PFD straps, etc., away from any exposed moving parts.

EMU33641

Hot parts

During and after operation, engine parts are hot enough to cause burns. Avoid touching any parts under the top cowling until the engine has cooled.

EMU33651

Electric shock

Do not touch any electrical parts while starting or operating the engine. They can cause shock or electrocution.

EMU33672

Engine shut-off cord (lanyard)

Attach the engine shut-off cord so that the engine stops if the operator falls overboard or leaves the helm. This prevents the boat from running away under power and leaving people stranded, or running over people or objects.

Always attach the engine shut-off cord to a secure place on your clothing or your arm or leg while operating. Do not remove it to leave the helm while the boat is moving. Do not attach the cord to clothing that could tear loose, or route the cord where it could become entangled, preventing it from functioning.

Do not route the cord where it is likely to be accidentally pulled out. If the cord is pulled during operation, the engine will shut off and you will lose most steering control. The boat could slow rapidly, throwing people and objects forward.

EMU33811

Gasoline

Gasoline and its vapors are highly flammable and explosive. Always, refuel according to the procedure on page 29 to reduce the risk of fire and explosion.

EMU33821

Gasoline exposure and spills

Take care not to spill gasoline. If gasoline spills, wipe it up immediately with dry rags. Dispose of rags properly.

If any gasoline spills onto your skin, immediately wash with soap and water. Change clothing if gasoline spills on it.

If you swallow gasoline, inhale a lot of gasoline vapor, or get gasoline in your eyes, get immediate medical attention. Never siphon fuel by mouth.

EMU33901

Carbon monoxide

This product emits exhaust gases which contain carbon monoxide, a colorless, odorless gas which may cause brain damage or death when inhaled. Symptoms include nausea, dizziness, and drowsiness. Keep cockpit and cabin areas well ventilated. Avoid blocking exhaust outlets.

EMU33781

Modifications

Do not attempt to modify this outboard motor. Modifications to your outboard motor may reduce safety and reliability, and render the outboard unsafe or illegal to use.

EMU33741

Boating safety

This section includes a few of the many important safety precautions that you should follow when boating.

EMU33711

Alcohol and drugs

Never operate after drinking alcohol or taking drugs. Intoxication is one of the most common factors contributing to boating fatalities.

EMU40281

Personal flotation devices (PFDs)

Have an approved PFD on board for every occupant. Yamaha recommends that you must wear a PFD whenever boating. At a minimum, children and non-swimmers should always wear PFDs, and everyone should wear PFDs when there are potentially hazardous boating conditions.

EMU33732

People in the water

Always watch carefully for people in the water, such as swimmers, skiers, or divers, whenever the engine is running. When someone is in the water near the boat, shift into neutral and stop the engine.

Stay away from swimming areas. Swimmers can be hard to see.

The propeller can keep moving even when the motor is in neutral. Stop the engine when a person is in the water near you.

EMU33752

Passengers

Consult your boat manufacturer's instructions for details about appropriate passenger locations in your boat and be sure all passengers are positioned properly before accelerating and when operating above an idle speed. Standing or sitting in non-designated locations may result in being thrown either overboard or within the boat due to waves, wakes, or sudden changes in speed or direction. Even when people are positioned properly, alert your passengers if you must make any unusual maneuver. Always avoid jumping waves or wakes.

EMU33762

Overloading

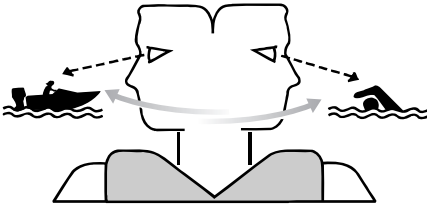
Do not overload the boat. Consult the boat capacity plate or boat manufacturer for maximum weight and number of passengers. Be sure that weight is properly distributed according to the boat manufacturer's instructions. Overloading or incorrect weight distribution can compromise the boats handling and lead to an accident, capsizing or swamping.

EMU33773

Avoid collisions

Scan constantly for people, objects, and other boats. Be alert for conditions that limit your visibility or block your vision of others.

Safety information



ZMU06025

Operate defensively at safe speeds and keep a safe distance away from people, objects, and other boats.

- Do not follow directly behind other boats or waterskiers.
- Avoid sharp turns or other maneuvers that make it hard for others to avoid you or understand where you are going.
- Avoid areas with submerged objects or shallow water.
- Ride within your limits and avoid aggressive maneuvers to reduce the risk of loss of control, ejection, and collision.
- Take early action to avoid collisions. Remember, boats do not have brakes, and stopping the engine or reducing throttle can reduce the ability to steer. If you are not sure that you can stop in time before hitting an obstacle, apply throttle and turn in another direction.

EMU33791

Weather

Stay informed about the weather. Check weather forecasts before boating. Avoid boating in hazardous weather.

EMU33881

Passenger training

Make sure at least one other passenger is trained to operate the boat in the event of an emergency.

EMU33891

Boating safety publications

Be informed about boating safety. Additional publications and information can be obtained from many boating organizations.

EMU33601

Laws and regulations

Know the marine laws and regulations where you will be boating- and obey them. Several sets of rules prevail according to geographic location, but all are basically the same as the International Rules of the Road.

General information

EMU25172

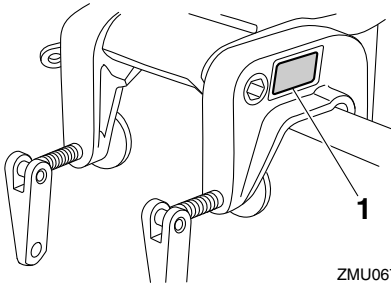
Identification numbers record

EMU25186

Outboard motor serial number

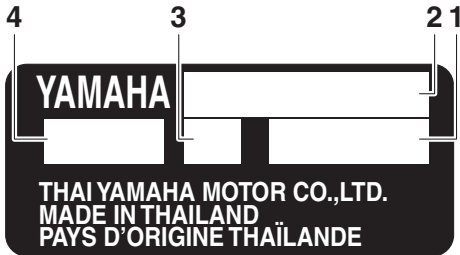
The outboard motor serial number is stamped on the label attached to the port side of the clamp bracket.

Record your outboard motor serial number in the spaces provided to assist you in ordering spare parts from your Yamaha dealer or for reference in case your outboard motor is stolen.



ZMU06705

1. Outboard motor serial number location



ZMU08144

1. Serial number
2. Model name
3. Motor transom height
4. Approved model code

EMU38981

EC Declaration of Conformity (DoC)

This declaration is included with outboard motors that conform to European regulations.

This outboard motor conforms to certain portions of the European Parliament directive relating to machinery.

Each conformed outboard motor accompanied with EC DoC. EC DoC contains the following information;

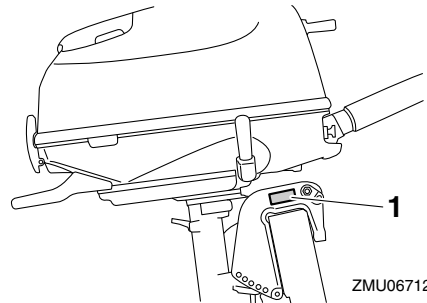
- Name of Engine Manufacture
- Model name
- Product code of model (Approved model code)
- Code of conformed directives

EMU38995

CE Marking

This label is affixed to outboard motors that conform to European regulations.

Outboard motors affixed with this "CE" marking conform with the directives of; 2006/42/EC, 94/25/EC - 2003/44/EC, 2014/30/EU, and 2004/108/EC, 2013/53/EU.



ZMU06712

1. CE marking location

General information



ZMU08148

EMU33524

Read manuals and labels

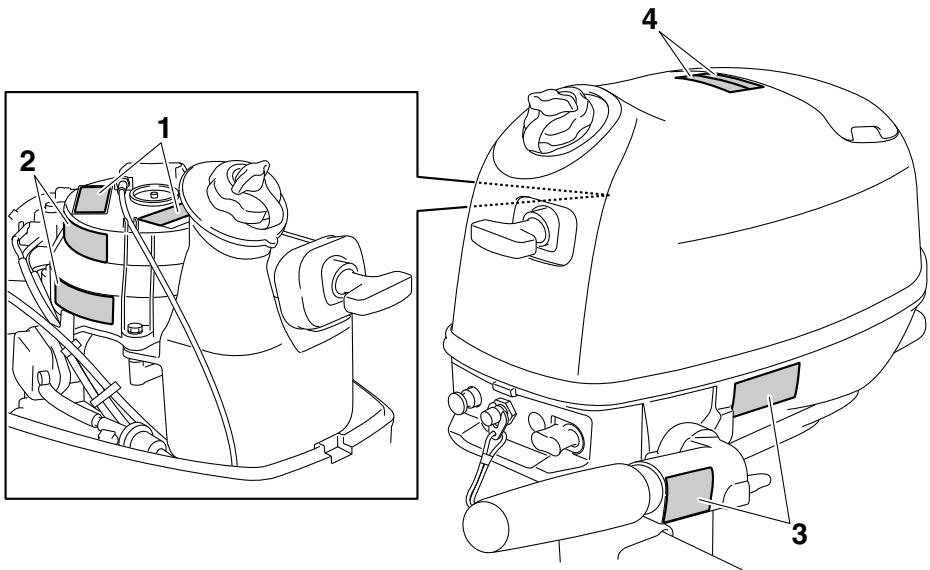
Before operating or working on this outboard motor:

- Read this manual.
 - Read any manuals supplied with the boat.
 - Read all labels on the outboard motor and the boat.
- If you need any additional information, contact your Yamaha dealer.

EMU33836

Warning labels

If these labels are damaged or missing, contact your Yamaha dealer for replacements.



ZMU06795

General information

1

⚠ WARNING	
Emergency starting does not have start-in-gear protection. Ensure shift control is in neutral before starting engine.	
<small>6EE-H1995-40</small>	

⚠ AVERTISSEMENT	
Le démarrage d'urgence ne comporte pas de sécurité de démarrage embrayé. Veiller à ce que le changement de vitesses se trouve au point mort avant de faire démarrer le moteur.	
<small>6EE-H1995-50</small>	

2

⚠ WARNING	
	<ul style="list-style-type: none"> • Keep hands, hair, and clothing away from rotating parts while the engine is running. • Do not touch or remove electrical parts when starting or during operation.
	<small>6EE-H1994-40</small>

⚠ AVERTISSEMENT	
	<ul style="list-style-type: none"> • Garder les mains, les cheveux et les vêtements à l'écart des pièces en rotation lorsque le moteur tourne. • Ne touchez et ne retirez aucune pièce électrique lors du démarrage ou de l'utilisation.
	<small>6EE-H1994-50</small>

3

⚠ WARNING	
	<ul style="list-style-type: none"> • Read Owner's Manuals and labels. • Wear an approved personal flotation device (PFD). • Attach engine shut-off cord (lanyard) to your PFD, arm, or leg so the engine stops if you accidentally leave the helm, which could prevent a runaway boat.
	<small>6EE-G2794-40</small>

⚠ AVERTISSEMENT	
	<ul style="list-style-type: none"> • Lire le Manuel de l'Utilisateur et les étiquettes. • Portez un gilet de sauvetage homologué. • Attachez le cordon d'arrêt du moteur (coupe-circuit) à votre gilet de sauvetage, à votre bras ou à votre jambe pour que le moteur s'arrête si vous quittez accidentellement la barre. Cela permet d'éviter que le bateau ne poursuive sa route sans contrôle.
	<small>6EE-G2794-50</small>

4

⚠ WARNING	
Gasoline is highly flammable and explosive. Shut off engine before refueling. Tighten tank cap and air vent screw when not in use.	
<small>6EE-G2698-40</small>	

⚠ AVERTISSEMENT	
L'essence est extrêmement inflammable et explosive. Couper le moteur avant de faire le plein de carburant. Fermer le capuchon du réservoir et la vis de mise à pression atmosphérique lorsqu'il n'est pas utilisé.	
<small>6EE-G2698-50</small>	

EMU35282

Contents of labels

The above warning labels mean as follows.

1

EWM01692

⚠ WARNING
Emergency starting does not have start-in-gear protection. Ensure shift control is in neutral before starting engine.

2

EWM01682

⚠ WARNING
<ul style="list-style-type: none"> ● Keep hands, hair, and clothing away from rotating parts while the engine is running. ● Do not touch or remove electrical parts when starting or during operation.

ZMU08145

3

EWM01672

⚠ WARNING
<ul style="list-style-type: none"> ● Read Owner's Manuals and labels. ● Wear an approved personal flotation device (PFD). ● Attach engine shut-off cord (lanyard) to your PFD, arm, or leg so the engine stops if you accidentally leave the helm, which could prevent a runaway boat.

General information

4

EWM01702



Gasoline is highly flammable and explosive. Shut off engine before refueling. Tighten tank cap and air vent screw when not in use.

EMU35133

Symbols

The following symbols mean as follows.

Notice/Warning



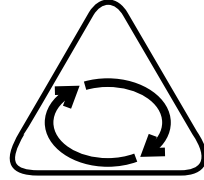
ZMU05696

Read Owner's Manual



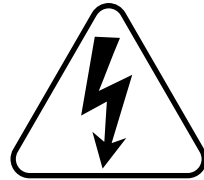
ZMU05664

Hazard caused by continuous rotation



ZMU05665

Electrical hazard



ZMU05666

Specifications and requirements

EMU38092

Specifications

TIP:

“(AL)” stated in the specification data below represents the numerical value for the aluminum propeller installed.

EMU2821V

Dimension and weight:

Overall length:

750 mm (29.5 in)

Overall width:

403 mm (15.9 in)

Overall height S:

1039 mm (40.9 in)

Overall height L:

1166 mm (45.9 in)

Motor transom height S:

435 mm (17.1 in)

Motor transom height L:

562 mm (22.1 in)

Dry weight (AL) S:

27 kg (60 lb)

Dry weight (AL) L:

28 kg (62 lb)

Performance:

Full throttle operating range:

4000–5000 r/min (F4BMH)

4500–5500 r/min (F5AMH, F6CMH)

Rated power:

2.9 kW (4 HP) (F4BMH)

3.7 kW (5 HP) (F5AMH)

4.4 kW (6 HP) (F6CMH)

Idle speed (in neutral):

1450–1550 r/min

Power unit:

Type:

4-stroke OHV S1 2 valves

Total displacement:

139 cm³ (8.5 c.i.)

Bore × stroke:

62.0 × 46.0 mm (2.44 × 1.81 in)

Ignition system:

CDI

Spark plug (NGK):

CR6HSB

Spark plug gap:

0.6–0.7 mm (0.024–0.028 in)

Steering system:

Tiller handle

Starting system:

Manual starter

Starting carburetion system:

Choke valve

Valve clearance IN (cold engine):

0.08–0.12 mm (0.0032–0.0047 in)

Valve clearance EX (cold engine):

0.08–0.12 mm (0.0032–0.0047 in)

Lower unit:

Gear shift positions:

Forward-neutral-reverse

Gear ratio:

2.08 (27/13)

Trim and tilt system:

Manual tilt

Propeller mark:

BA

Fuel and oil:

Recommended fuel:

Regular unleaded gasoline

Min. research octane number (RON):

90

Fuel tank capacity:

12 L (3.17 US gal, 2.64 Imp.gal)

Fuel tank capacity (built in type):

1.1 L (0.29 US gal, 0.24 Imp.gal)

Recommended engine oil:

YAMALUBE 4 or 4-stroke outboard motor oil

Recommended engine oil grade 1:

SAE 10W-30/10W-40/5W-30

API SE/SF/SG/SH/SJ/SL

Specifications and requirements

Engine oil quantity:

0.6 L (0.63 US qt, 0.53 Imp.qt)

Lubrication system:

Wet sump

Recommended gear oil:

YAMALUBE outboard gear oil or Hypoid gear oil

Recommended gear oil grade:

SAE 90 API GL-4

Gear oil quantity:

0.100 L (0.106 US qt, 0.088 Imp.qt)

Tightening torque:

Spark plug:

13 Nm (1.33 kgf-m, 9.6 ft-lb)

Engine oil drain bolt:

18 Nm (1.84 kgf-m, 13.3 ft-lb)

Noise and vibration level:

Operator sound pressure level (ICOMIA 39/94):

77.5 dB(A)

Vibration on tiller handle (ICOMIA 38/94):

5.5 m/s²

EMU33556

Installation requirements

EMU33565

Boat horsepower rating

EWM01561



WARNING

Overpowering a boat can cause severe instability.

Before installing the outboard motor(s), confirm that the total horsepower of your outboard motor(s) does not exceed the boat's maximum horsepower rating. See the boat's capacity plate or contact the manufacturer.

EMU40171

Mounting the outboard motor

EWM02431



WARNING

Improper mounting of the outboard motor could result in hazardous conditions, such as poor handling, loss of control, or fire

hazards. If you are not able to mount the outboard motor properly, consult a Yamaha dealer.

To lift and mount the outboard motor, two people are necessary. For further information, see page 21.

EMU40052

Battery requirements

When installing a battery, the lighting coil kit must be installed. For installation of the battery and lighting coil kit, consult a Yamaha dealer.

EMU34196

Propeller selection

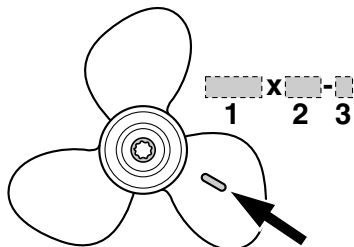
Next to selecting an outboard motor, selecting the right propeller is one of the most important purchasing decisions a boater can make. The type, size, and design of your propeller have a direct impact on acceleration, top speed, fuel economy, and even engine life. Yamaha designs and manufactures propellers for every Yamaha outboard motor and every application.

Your outboard motor came with a Yamaha propeller selected to perform well over a range of applications, but there may be uses where a different propeller would be more appropriate.

Your Yamaha dealer can help you select the right propeller for your boating needs. Select a propeller that will allow the engine to reach the middle or upper half of the operating range at full throttle with the maximum boatload. Generally, select a larger pitch propeller for a smaller operating load and a smaller pitch propeller for a heavier load. If you carry loads that vary widely, select the propeller that lets the engine run in the proper range for your maximum load but remember that you

Specifications and requirements

may need to reduce your throttle setting to stay within the recommended engine speed range when carrying lighter loads. To check the propeller, see page 57.



ZMU06853

1. Propeller diameter in inches
2. Propeller pitch in inches
3. Type of propeller (propeller mark)

EMU39192

Start-in-gear protection

Yamaha outboard motors are equipped with start-in-gear protection device. This feature permits the engine to be started only when it is in neutral. Always select neutral before starting the engine.

EMU39693

Engine oil requirements

Select an oil grade according to the average temperatures in the area where the outboard motor will be used.

Recommended engine oil:

YAMALUBE 4 or 4-stroke outboard motor oil

Recommended engine oil grade 1:

SAE 10W-30/10W-40/5W-30
API SE/SF/SG/SH/SJ/SL

Recommended engine oil grade 2:

SAE 15W-40/20W-40/20W-50
API SH/SJ/SL

Engine oil quantity:

0.6 L (0.63 US qt, 0.53 Imp.qt)

If oil grades listed under Recommended engine oil grade 1 are not available, select an alternative oil grade listed under Recommended engine oil grade 2.

Recommended engine oil grade 1

SAE								API
-4	14	32	50	68	86	104	122	F
-20	-10	0	10	20	30	40	50	C
10W-30								SE SF SG SH SJ SL
10W-40								
5W-30								

ZMU06854

Recommended engine oil grade 2

SAE								API
-4	14	32	50	68	86	104	122	F
-20	-10	0	10	20	30	40	50	C
15W-40								SH SJ SL
20W-40								
20W-50								

ZMU06855

EMU36361

Fuel requirements

EMU40202

Gasoline

Use a good quality gasoline that meets the minimum octane rating. If knocking or pinging occurs, use a different brand of gasoline or premium unleaded fuel.

Recommended fuel:

Regular unleaded gasoline

Min. research octane number (RON):
90

Specifications and requirements

ECM01982

NOTICE

- **Do not use leaded gasoline. Leaded gasoline can seriously damage the engine.**
- **Avoid getting water and contaminants in the fuel tank. Contaminated fuel can cause poor performance or engine damage. Use only fresh gasoline that has been stored in clean containers.**

Gasohol

There are two types of gasohol: gasohol containing ethanol (E10) and that containing methanol. Ethanol can be used if the ethanol content does not exceed 10% and the fuel meets the minimum octane ratings. E85 is a fuel containing 85% ethanol and must not be used in your outboard motor. All ethanol blends containing more than 10% ethanol can cause fuel system damage or cause engine starting and running problems. Yamaha does not recommend gasohol containing methanol because it can cause fuel system damage or engine performance problems.

It is recommended that you install a water-separating marine fuel filter assembly (10 micron minimum) between your boat's fuel tank and outboard motor when using ethanol. Ethanol is known to allow moisture to be absorbed into boat fuel tanks and systems. Moisture in the fuel can cause corrosion of metallic fuel system components, starting and running complaints and require additional fuel system maintenance.

EMU36331

Anti-fouling paint

A clean hull improves boat performance. The boat bottom should be kept as clean of marine growth as possible. If necessary, the boat

bottom can be coated with an anti-fouling paint approved for your area to inhibit marine growth.

Do not use anti-fouling paint which includes copper or graphite. These paints can cause more rapid engine corrosion.

EMU40302

Outboard motor disposal requirements

Never illegally discard (dump) the outboard motor. Yamaha recommends consulting the dealer about discarding the outboard motor.

EMU36353

Emergency equipment

Keep the following items onboard in case there is trouble with the outboard motor.

- A tool kit with assorted screwdrivers, pliers, wrenches (including metric sizes), and electrical tape.
- Waterproof flashlight with extra batteries.
- An extra engine shut-off cord (lanyard) with clip.
- Spare parts, such as an extra set of spark plugs.

Consult your Yamaha dealer for details.

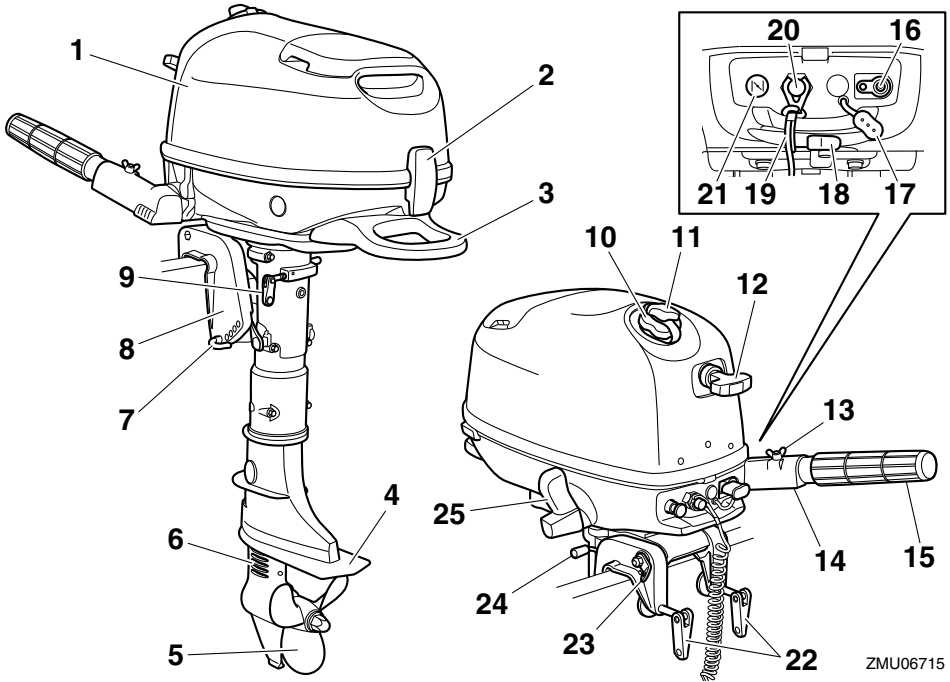
Components

EMU46721

Components diagram

TIP:

* May not be exactly as shown; also may not be included as standard equipment on all models (order from dealer).



ZMU06715

1. Top cowling
2. Cowling lock lever
3. Carrying handle
4. Anti-cavitation plate
5. Propeller*
6. Cooling water inlet
7. Trim rod
8. Clamp bracket
9. Steering friction adjuster
10. Fuel tank cap
11. Air vent screw
12. Manual starter handle
13. Throttle friction adjuster
14. Tiller handle
15. Throttle grip

16. Fuel joint
17. Fuel joint cap
18. Fuel cock
19. Engine shut-off cord (lanyard)
20. Engine stop button/Engine shut-off switch
21. Choke knob
22. Clamp screw
23. Restraint cable attachment
24. Tilt support bar
25. Gear shift lever

EMU39545

Fuel tank (built-in fuel tank)

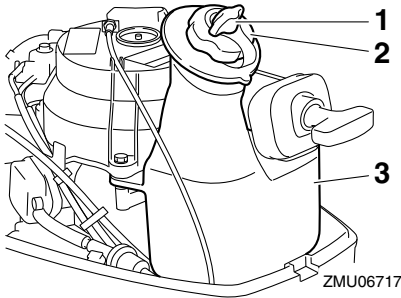
This outboard motor is equipped with a built-in fuel tank and its parts are as follows.

Fuel tank cap

This cap seals the fuel tank. When removed, the tank can be filled with fuel. To remove the cap, turn it counterclockwise.

Air vent screw

This screw is on the fuel tank cap. To loosen the screw, turn it counterclockwise.



1. Air vent screw
2. Fuel tank cap
3. Built-in fuel tank

EMU39356

Fuel tank (portable fuel tank)

This model can be equipped with an optional portable fuel tank. The parts of the fuel tank are as follows.

Fuel tank cap

This cap seals the fuel tank. When removed, the tank can be filled with fuel. To remove the cap, turn it counterclockwise.

Air vent screw

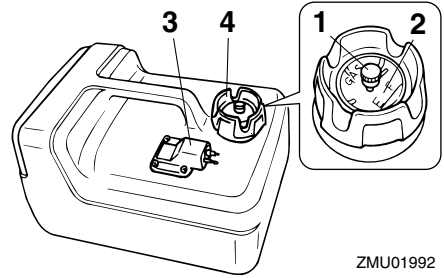
This screw is on the fuel tank cap. To loosen the screw, turn it counterclockwise.

Fuel joint

This joint is used to connect the fuel line.

Fuel gauge

This gauge is located on either the fuel tank cap or on the fuel joint base. It shows the approximate amount of fuel remaining in the tank.



1. Air vent screw
2. Fuel gauge
3. Fuel joint
4. Fuel tank cap

EWM00021

WARNING

The fuel tank supplied with this engine is its dedicated fuel reservoir and must not be used as a fuel storage container. Commercial users should conform to relevant licensing or approval authority regulations.

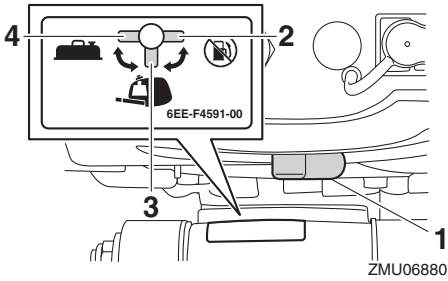
EMU40091

Fuel cock

The fuel cock turns on and off the supply of fuel from the fuel tank to the engine.

The fuel cock has 3 positions: the closed position, built-in fuel tank position, and portable fuel tank position. Depending on how the outboard motor will be used, align the fuel cock with the appropriate position indicated on the label that is affixed to the outboard motor.

Components



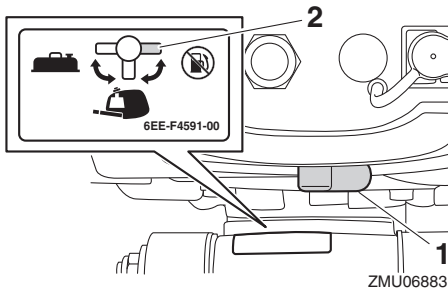
1. Fuel cock
2. Closed position
3. Built-in fuel tank position
4. Portable fuel tank position

EMU39211

Close

To stop the fuel flow from the fuel tank to the carburetor, align the fuel cock with the closed position.

When the engine is not running, always align the fuel cock with the closed position.



1. Fuel cock
2. Closed position

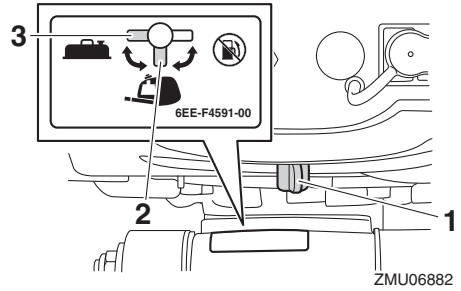
EMU39223

Open

To send fuel from the fuel tank to the carburetor, align the fuel cock with the position for the built-in fuel tank or portable fuel tank according to which fuel tank is being used.

When using the built-in fuel tank, align the fuel cock with the built-in fuel tank position.

When using a portable fuel tank, align the fuel cock with the portable fuel tank position.

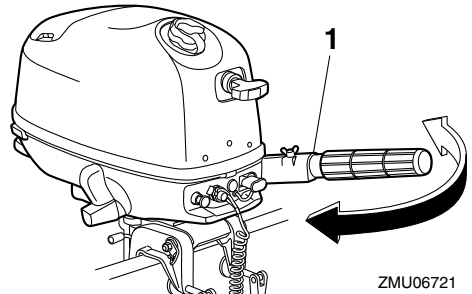


1. Fuel cock
2. Built-in fuel tank position
3. Portable fuel tank position

EMU25914

Tiller handle

To change direction, move the tiller handle to the left or right as necessary.

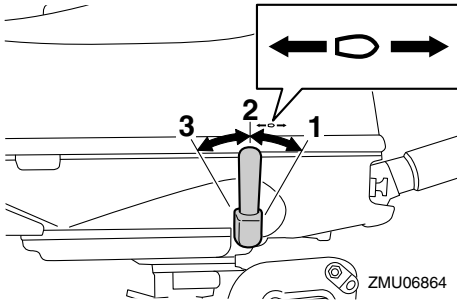


1. Tiller handle

EMU25925

Gear shift lever

Move the gear shift lever forward to engage the forward gear or rearward to engage the reverse gear.

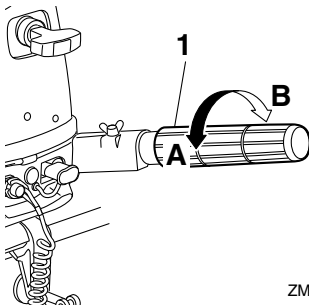


1. Forward position
2. Neutral position
3. Reverse position

EMU39701

Throttle grip

The throttle grip is on the tiller handle. Turn the grip "A" to increase speed and "B" to decrease speed.

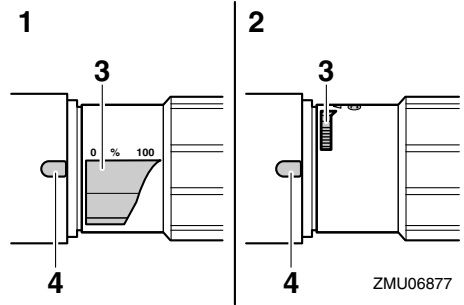


1. Throttle grip

EMU39712

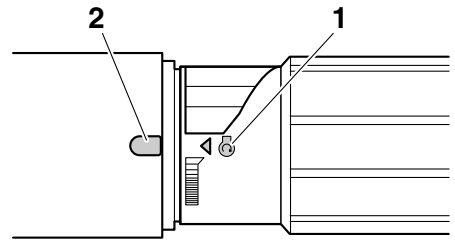
Throttle indicator

The throttle indicator shows the throttle position. When the 100% position of the throttle indicator is aligned with the notch in the tiller handle, the throttle is fully open. When the 0% position of the throttle indicator is aligned with the notch in the tiller handle, the throttle is fully closed.



1. Fully open
2. Fully closed
3. Throttle indicator
4. Notch

The engine start mark "⊕" on the throttle indicator shows the throttle position for starting the engine.



1. Start mark "⊕"
2. Notch

EMU39244

Throttle friction adjuster

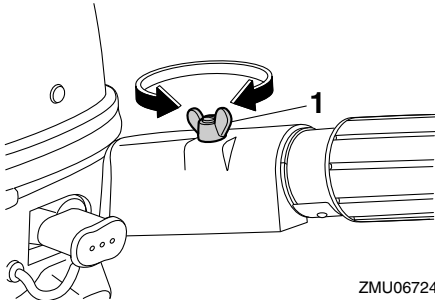
The throttle friction adjuster provides adjustable resistance when the throttle grip is turned, and can be set according to operator preference.

To increase resistance, turn the throttle friction adjuster clockwise.

To decrease resistance, turn the throttle friction adjuster counterclockwise. When constant speed is desired, tighten the throttle friction adjuster to maintain the desired throttle setting. **WARNING! Do not overtighten**

Components

the throttle friction adjuster. If there is too much resistance, it could be difficult to turn the throttle grip, which could result in an accident. [EWM02262]



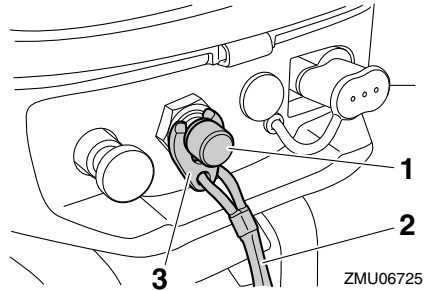
ZMU06724

1. Throttle friction adjuster

EMU25996

Engine shut-off cord (lanyard) and clip

The clip must be attached to the engine shut-off switch for the engine to run. The cord should be attached to a secure place on the operator's clothing, or arm or leg. Should the operator fall overboard or leave the helm, the cord will pull out the clip, stopping ignition to the engine. This will prevent the boat from running away under power. **WARNING! Attach the engine shut-off cord to a secure place on your clothing, or your arm or leg while operating. Do not attach the cord to clothing that could tear loose. Do not route the cord where it could become entangled, preventing it from functioning. Avoid accidentally pulling the cord during normal operation. Loss of engine power means the loss of most steering control. Also, without engine power, the boat could slow rapidly. This could cause people and objects in the boat to be thrown forward.** [EWM00123]



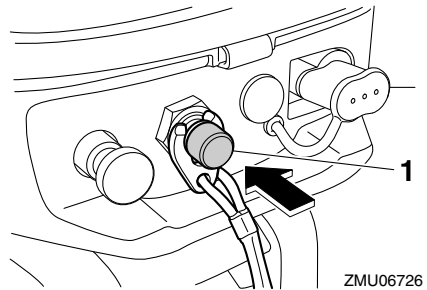
ZMU06725

1. Engine shut-off switch
2. Engine shut-off cord (lanyard)
3. Clip

EMU26004

Engine stop button

The engine stop button stops the engine when the button is pushed.



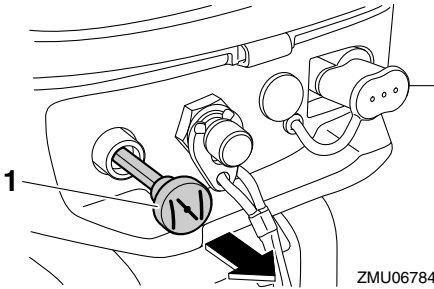
ZMU06726

1. Engine stop button

EMU26015

Pull-type choke knob

Pull the choke knob to supply a rich fuel mixture to the engine.

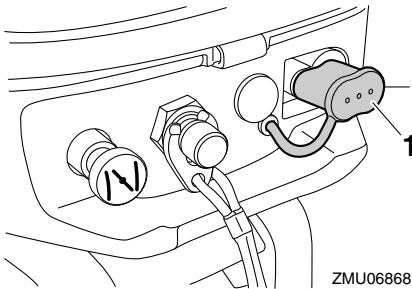


1. Choke knob

EMU39724

Fuel joint cap

The fuel joint is equipped with the fuel joint cap. **WARNING! When not using a portable fuel tank, make sure to install the fuel joint cap. Otherwise, injury could result from striking the fuel joint accidentally.** [EWM02412]

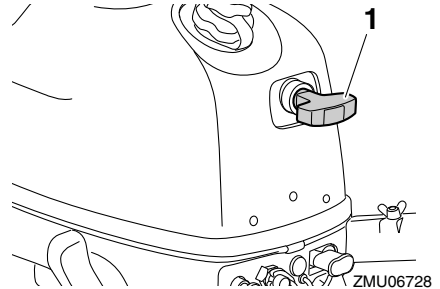


1. Fuel joint cap

EMU26075

Manual starter handle

The manual starter handle is used to crank and start the engine.



1. Manual starter handle

EMU39253

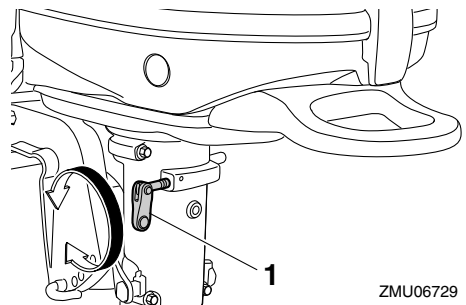
Steering friction adjuster

EWM02271

WARNING

Do not overtighten the steering friction adjuster. If there is too much resistance, it could be difficult to steer, which could result in an accident.

The steering friction adjuster provides adjustable resistance to the steering mechanism, and can be set according to operator preference. The steering friction adjuster is located on the port side of the outboard motor.



1. Steering friction adjuster

To increase resistance, turn the steering friction adjuster clockwise.

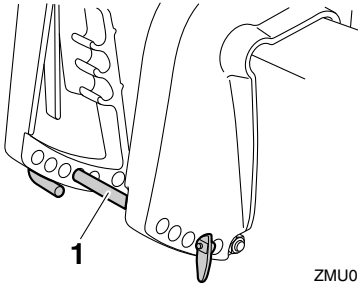
To decrease resistance, turn the steering friction adjuster counterclockwise.

Components

EMU40102

Trim rod (tilt pin)

The trim rod (tilt pin) is used to adjust the trim angle of the outboard motor in relation to the angle of the boat transom.



ZMU06843

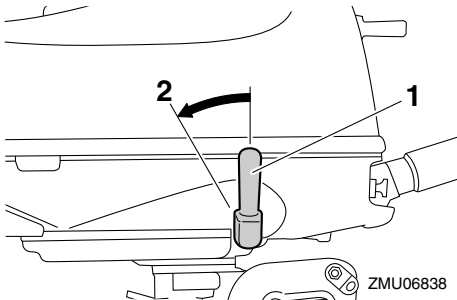
1. Trim rod

EMU39364

Tilt lock mechanism

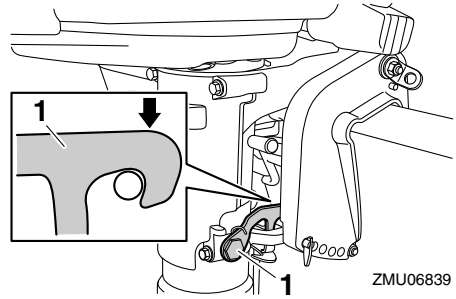
The tilt lock mechanism is used to prevent the outboard motor from lifting out of the water when the gear shift lever is in the reverse position.

When the gear shift lever is moved to the reverse position, the tilt lock mechanism operates to prevent the outboard motor from being tilted up.



ZMU06838

1. Gear shift lever
2. Reverse position



ZMU06839

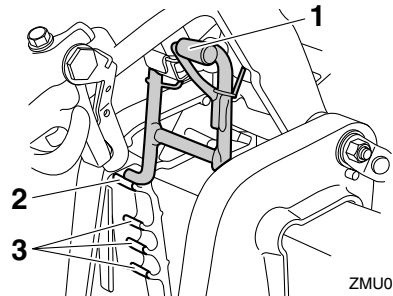
1. Tilt lock

When the gear shift lever is moved to the neutral position or forward position, the outboard motor can be tilted up.

EMU39833

Tilt support bar

Use the tilt support bar to keep the outboard motor in the tilted up position or a shallow water cruising position.



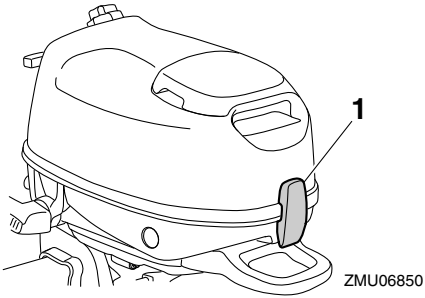
ZMU06731

1. Tilt support bar
2. Tilted up position
3. Shallow water cruising position

EMU39264

Cowling lock lever

The cowling lock lever(s) is used to secure the top cowling.

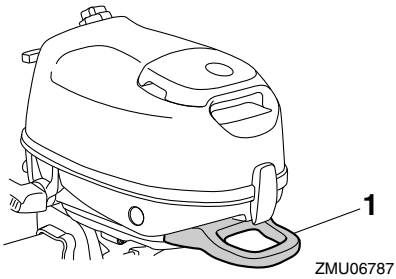


1. Cowling lock lever

EMU39373

Carrying handle

The carrying handle is used to carry the outboard motor. For information on carrying and transporting the outboard motor, see page 43.



1. Carrying handle

Installation

EMU39732

Installation

The information presented in this section is intended as reference only. It is not possible to provide complete instructions for every possible boat and motor combination. Proper mounting depends in part on experience and the specific boat and motor combination.

EWM02342

WARNING

- **Overpowering a boat could cause severe instability. Do not mount an outboard motor with more horsepower than the maximum rating on the capacity plate of the boat. If the boat does not have a capacity plate, consult the boat manufacturer.**
- **Improper mounting of the outboard motor could result in hazardous conditions, such as poor handling, loss of control, or fire hazards. If you are not able to mount the outboard motor properly, consult a Yamaha dealer.**

EMU39563

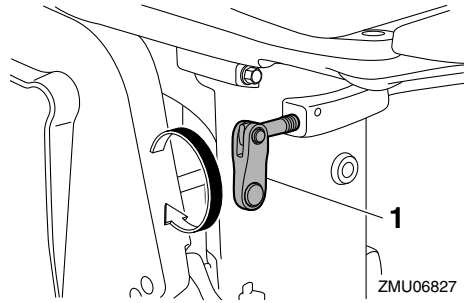
Mounting the outboard motor

EWM02301

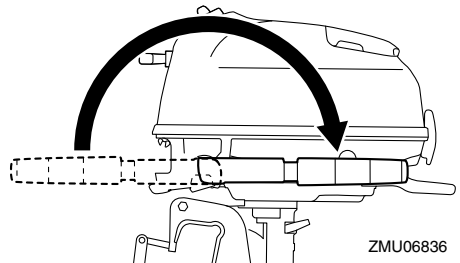
WARNING

Do not hold the top cowling or tiller handle when mounting or dismounting the outboard motor. Otherwise, the outboard motor could fall.

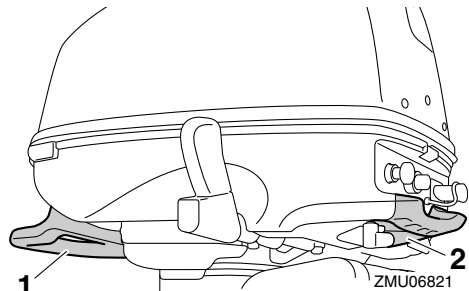
1. Be sure to mount the outboard motor while the boat is on land. If the boat is on the water, move it to an area on land.
2. To prevent steering movement, turn the steering friction adjuster clockwise.



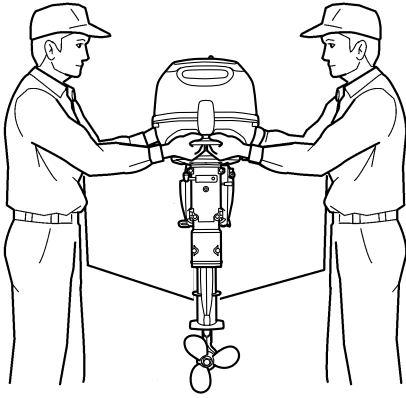
1. Steering friction adjuster
3. Turn the tiller handle 180° so that it is pointing rearward.



4. Hold the carrying handle and the handgrip on the front side of the bottom cowling and lift up the outboard motor using two people.

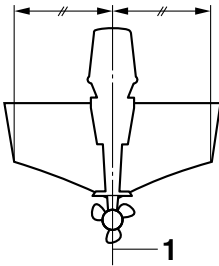


1. Carrying handle
2. Handgrip



ZMU06835

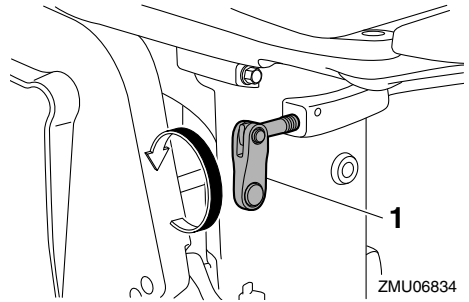
5. Mount the outboard motor on the center line (keel line) of the boat, and ensure that the boat itself is well balanced. Otherwise the boat will be hard to steer. For boats without a keel or which are asymmetrical, consult your dealer.



ZMU01760

1. Center line (keel line)
6. Turn the steering friction adjuster counterclockwise to set the steering friction according to operator preference. **WARNING! If there is too much resistance it could be difficult to steer, which could result in an accident.**

[EWM00722]

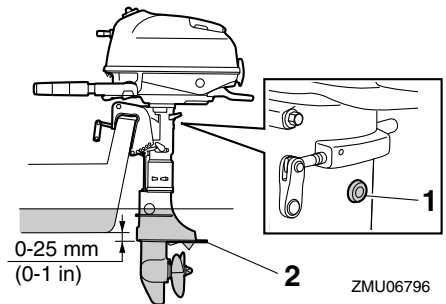


1. Steering friction adjuster

EMU39742

Mounting height

To run your boat at optimum efficiency, the water resistance (drag) of the boat and outboard motor must be made as little as possible. The mounting height of the outboard motor greatly affects the water resistance. If the mounting height is too high, cavitation tends to occur, thus reducing the propulsion; and if the propeller tips cut the air, the engine speed will rise abnormally and cause the engine to overheat. If the mounting height is too low, the water resistance will increase and thereby reduce engine efficiency. Mount the outboard motor so that the anti-cavitation plate is between the bottom of the boat and a level 25 mm (1 in) below it.



1. Idle hole
2. Anti-cavitation plate

Installation

ECM02171

NOTICE

- Check that the idle hole stays high enough to keep out water getting inside engine even if the boat is in stationary with maximum load.
- Incorrect engine height or obstructions to the smooth flow of water (such as the design or condition of the boat) can create airborne water spray while the boat is cruising. If the motor is operated continuously in the presence of airborne water spray, enough water could enter the engine through the intake opening on the top cowling to cause severe engine damage. Eliminate the cause of the airborne water spray.

TIP:

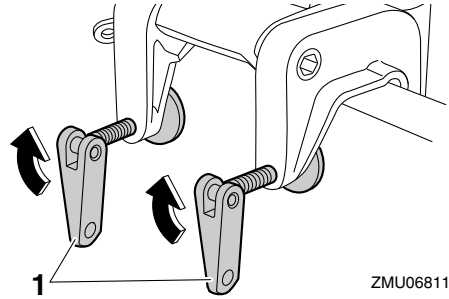
- The optimum mounting height of the outboard motor is affected by the boat and motor combination and the desired use. Test runs at different heights can help determine the optimum mounting height. Consult your Yamaha dealer or boat manufacturer for further information on determining the proper mounting height.
- For instructions on setting the trim angle of the outboard motor, see page 36.

EMU39753

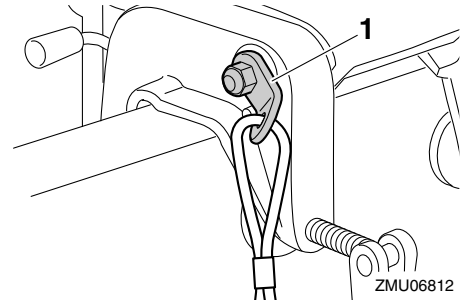
Clamping the outboard motor

1. Place the outboard motor on the transom so that it is positioned as close to the center as possible. Tighten the clamp screws evenly and securely. Occasionally check the clamp screws for tightness during operation of the outboard motor because they could become loose due to engine vibration. **WARNING! Loose clamp screws could allow the outboard motor to fall off or move on the transom. This could cause loss of**

control and serious injury. Make sure the clamp screws are tightened securely. Occasionally check the screws for tightness during operation. [EWM00643]



1. Clamp screw
2. Attach one end to the restraint cable attachment and the other to a secure mounting point on the boat. Otherwise the engine could be completely lost if it accidentally falls off the transom.



1. Restraint cable attachment

EMU36382

First-time operation

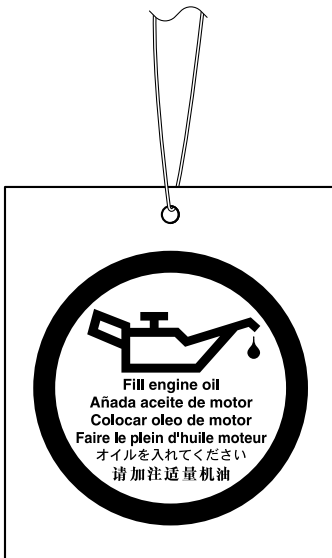
EMU36393

Fill engine oil

The engine is shipped from the factory without engine oil. If your dealer did not fill the oil, you must fill it before starting the engine.

NOTICE: Check that the engine is filled with oil before first-time operation to avoid severe engine damage. [ECM01782]

The engine is shipped with the following tag, which should be removed after engine oil is filled for the first time. For more information on checking the engine oil level, see page 26.



ZMU01710

EMU30175

Breaking in engine

Your new engine requires a period of break-in to allow mating surfaces of moving parts to wear in evenly. Correct break-in will help ensure proper performance and longer engine life. **NOTICE: Failure to follow the break-in procedure could result in reduced engine life or even severe engine damage.** [ECM00802]

EMU40061

Procedure for 4-stroke models

Your new engine requires a period of 10 hours break-in to allow mating surfaces of moving parts to wear in evenly.

TIP:

Run the engine in the water, under load (in gear with a propeller installed) as follows. For 10 hours for breaking in engine avoid extended idling, rough water and crowded areas.

1. For the first hour of operation:
Run the engine at varying speeds up to 2000 r/min or approximately half throttle.
2. For the second hour of operation:
Run the engine at 3000 r/min or at approximately three-quarter throttle.
3. Remaining 8 hours:
Run the engine at any speed. However, avoid operating at full throttle for more than 5 minutes at a time.
4. After the first 10 hours:
Operate the engine normally.

EMU36402

Getting to know your boat

All boats have unique handling characteristics. Operate cautiously while you learn how your boat handles under different conditions and various trim angles (see page 36).

EMU36414

Checks before starting engine

EWMO1922



If any item in “Checks before starting engine” is not working properly, have it inspected and repaired before operating the outboard motor. Otherwise, an accident could occur.

Operation

ECM00121

NOTICE

Do not start the engine out of water. Overheating and serious engine damage can occur.

EMU36561

Fuel level

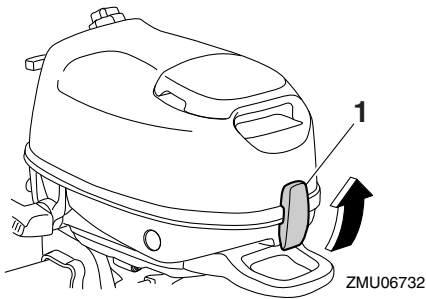
Be sure you have plenty of fuel for your trip. A good rule is to use 1/3 of your fuel to get to the destination, 1/3 to return, and to keep 1/3 as an emergency reserve. With the boat level on a trailer or in the water, check the fuel level. For fuel filling instructions, see page 28.

EMU39841

Removing top cowling

For the following checks, remove the top cowling from the bottom cowling.

To remove the top cowling, pull the cowling lock lever up and lift up the top cowling.



1. Cowling lock lever

EMU36443

Fuel system

EWM00061

WARNING

Gasoline and its vapors are highly flammable and explosive. Keep away from sparks, cigarettes, flames, or other sources of ignition.

EWM00911

WARNING

Leaking fuel can result in fire or explosion.

- Check for fuel leakage regularly.

- If any fuel leakage is found, the fuel system must be repaired by a qualified mechanic. Improper repairs can make the outboard unsafe to operate.

EMU36453

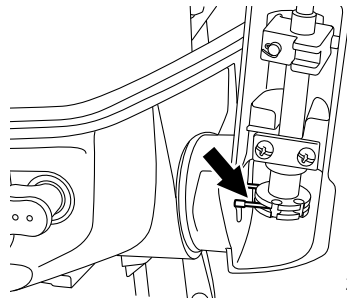
Check for fuel leaks

- Check for fuel leaks or gasoline fumes in the boat.
- Check for fuel leakage from the fuel system.
- Check the fuel tank and fuel lines for cracks, swellings, or other damage.

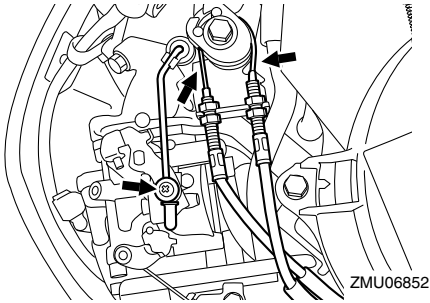
EMU39852

Controls

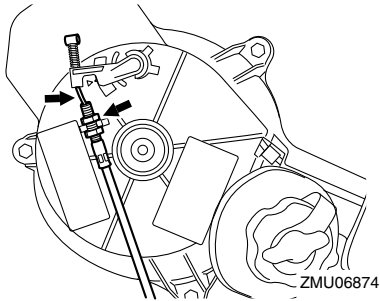
- Move the tiller handle fully to the left and right to check that operation is smooth.
- Turn the throttle grip from the fully closed position to the fully open position. Check that the throttle grip turns smoothly and that it completely returns to the fully closed position.
- Check the throttle cable and throttle link for loose or damaged connections.



ZMU06851



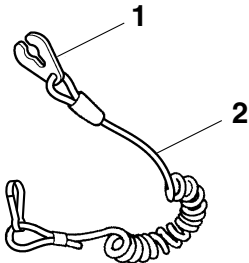
- Check the shift link and start-in-gear protection cable for loose or damaged connections.



EMU36484

Engine shut-off cord (lanyard)

Inspect the engine shut-off cord and clip for damage, such as cuts, breaks, and wear.



1. Clip
2. Engine shut-off cord (lanyard)

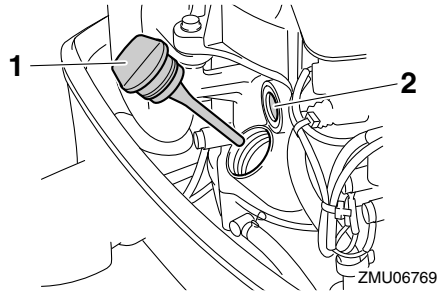
EMU39385

Engine oil

1. Place the outboard motor in an upright position (not tilted). **NOTICE: If the motor is not level, the oil level indicated on the dipstick may not be accurate.**

[ECM01791]

2. Remove the top cowling.
3. Remove the oil filler cap and wipe the attached oil dipstick clean.



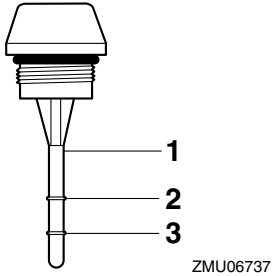
1. Oil filler cap
2. Oil lubrication check window

TIP:

The oil lubrication check window does not indicate the engine oil level. Use the oil lubrication check window to make sure that the engine is being lubricated with oil while it is running.

4. Install the oil filler cap and tighten it completely.
5. Remove the oil filler cap again and check that the oil level on the dipstick is between the upper and lower marks. If the oil level is not at the proper level, add or extract oil until the oil is between the upper and lower marks.

Operation



1. Oil dipstick
 2. Upper mark
 3. Lower mark
6. Install the oil filler cap and tighten it completely.
 7. Install the top cowling.

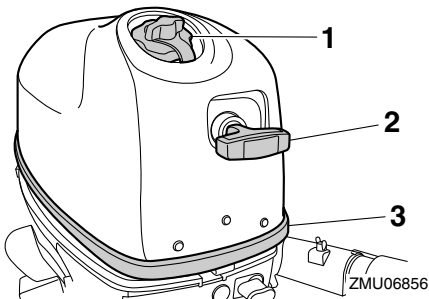
EMU27154 Engine

- Check the engine and engine mounting.
- Look for loose or damaged fasteners.
- Check the propeller for damage.
- Check for engine oil leaks.

EMU39862

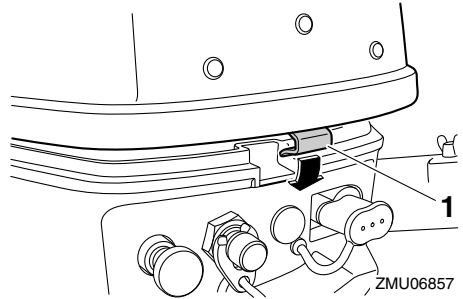
Installing top cowling

1. Check the rubber seal for damage. If the rubber seal is damaged, have it replaced by a Yamaha dealer.
2. Align the fuel tank cap and manual starter handle with their respective holes in the top cowling.

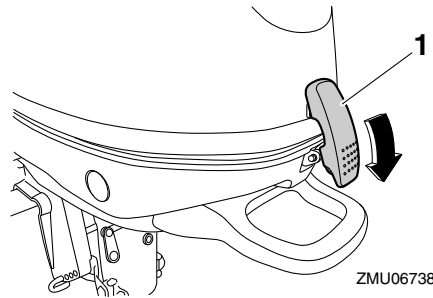


1. Fuel tank cap
2. Manual starter handle
3. Rubber seal

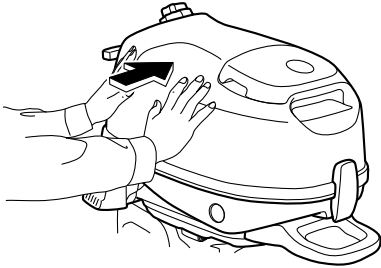
3. Hook the top cowling hook onto the bottom cowling, and then make sure that the fuel tank cap and manual starter handle fit properly into their respective holes.



1. Hook
4. Check to be sure the rubber seal is seated correctly between the top cowling and the bottom cowling.
5. Pull the cowling lock lever down to secure the top cowling.



1. Cowling lock lever
6. Check the fitting of the top cowling by pushing it with both hands. **NOTICE: If the top cowling is not installed correctly, water spray under the top cowling can damage the engine, or the top cowling can blow off at high speeds.** [ECM01992]



ZMU06739

EMU39874

Filling fuel

EWM01951

WARNING

Be sure the outboard motor is securely fastened to the transom or a stable stand.

EWM01831

WARNING

- Gasoline and its vapors are highly flammable and explosive. Always refuel according to this procedure to reduce the risk of fire and explosion.
- Gasoline is poisonous and can cause injury or death. Handle gasoline with care. Never siphon gasoline by mouth. If you should swallow some gasoline or inhale a lot of gasoline vapor, or get some gasoline in your eyes, see your doctor immediately. If gasoline spills on your skin, wash with soap and water. If gasoline spills on your clothing, change your clothes.

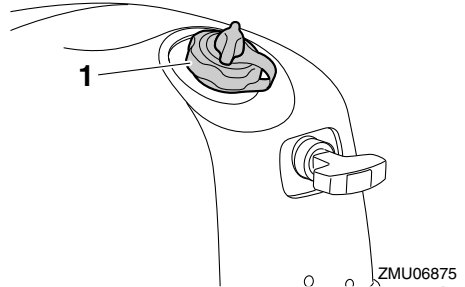
Before refueling, check the following points:

- Securely moor the boat in a well-ventilated area and stop the engine. If the boat is trailered, make sure that it is stable.
- Do not smoke and keep away from sparks, flames, static electric discharge, or other sources of ignition.

- If you use a portable container to store and dispense fuel, only use a locally approved GASOLINE container.
- To prevent electrostatic sparks, discharge any built-up static electricity from your body before refueling.

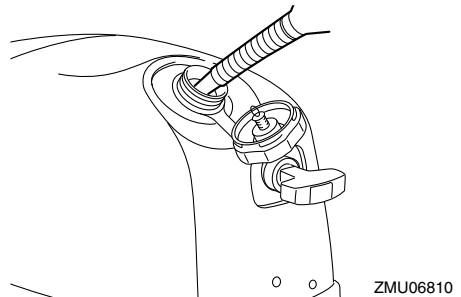
Filling fuel for built-in fuel tank

1. Remove the fuel tank cap.



ZMU06875

1. Fuel tank cap
2. Fill the fuel tank, but do not overfill it. **WARNING! Do not overfill. Otherwise fuel can expand and overflow if the temperature increases.** [EWM02611]



ZMU06810

Fuel tank capacity (built in type):
1.1 L (0.29 US gal, 0.24 Imp.gal)

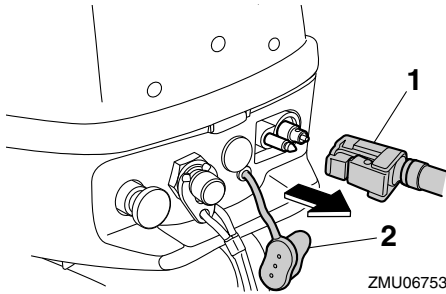
3. Tighten the fuel tank cap securely.
4. Wipe up any spilled gasoline immediately with dry rags. Dispose of rags properly according to local laws or regulations. If

Operation

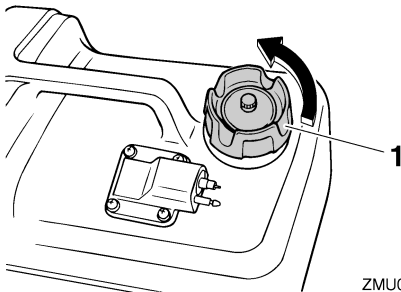
you use a portable container to store and dispense fuel, only use a locally approved GASOLINE container.

Filling fuel for portable fuel tank (optional)

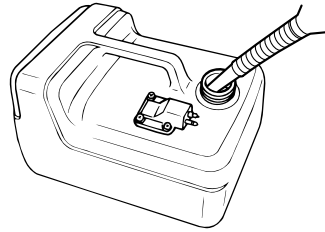
1. Disconnect the fuel hose, and then install the fuel joint cap. **WARNING! When not using a portable fuel tank, make sure to install the fuel joint cap. Otherwise, injury could result from striking the fuel joint accidentally.** [EWM02412]



1. Fuel hose
 2. Fuel joint cap
2. Remove the portable fuel tank from the boat.
 3. Remove the fuel tank cap.



1. Fuel tank cap
4. Fill the fuel tank, but do not overfill it. **WARNING! Do not overfill. Otherwise fuel can expand and overflow if the temperature increases.** [EWM02611]



5. Tighten the fuel tank cap securely.
6. Wipe up any spilled gasoline immediately with dry rags. Dispose of rags properly according to local laws or regulations. If you use a portable container to store and dispense fuel, only use a locally approved GASOLINE container.

EMU27453

Operating engine

EWM00421

⚠ WARNING

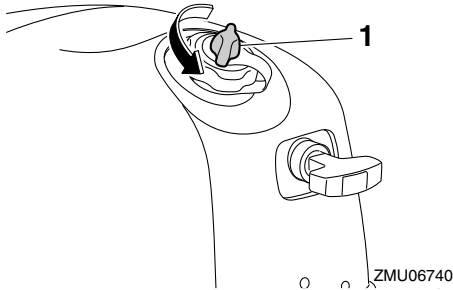
- Before starting the engine, make sure that the boat is tightly moored and that you can steer clear of any obstructions. Be sure there are no swimmers in the water near you.
- When the air vent screw is loosened, gasoline vapor will be released. Gasoline is highly flammable, and its vapors are flammable and explosive. Refrain from smoking, and keep away from open flames and sparks while loosening the air vent screw.
- This product emits exhaust gases which contain carbon monoxide, a colorless, odorless gas which could cause brain damage or death when inhaled. Symptoms include nausea, dizziness, and drowsiness. Keep cockpit and cabin areas well ventilated. Avoid blocking exhaust outlets.

EMU39396

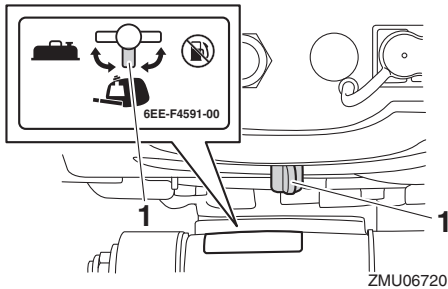
Sending fuel

Sending fuel for built-in fuel tank

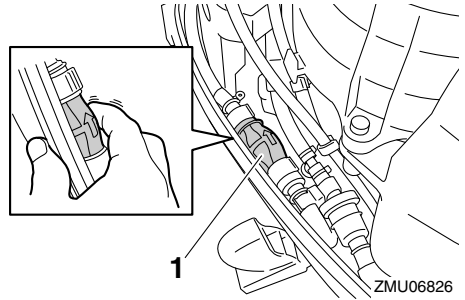
1. Loosen the air vent screw by 1 or 2 turns.



1. Air vent screw
2. Align the fuel cock with the built-in fuel tank position.



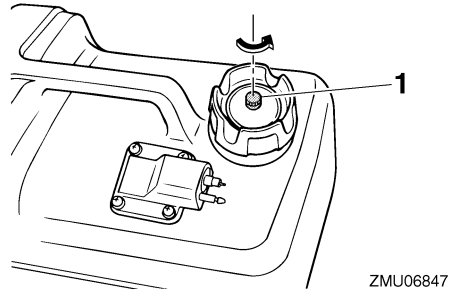
1. Built-in fuel tank position
3. Remove the top cowling, and then squeeze the primer pump in the bottom cowling repeatedly until you feel it become slightly firm.



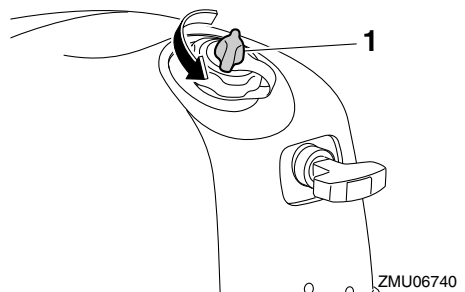
1. Primer pump
4. Install the top cowling.

Sending fuel for portable fuel tank (optional)

1. Loosen the air vent screw on the portable fuel tank by 2 or 3 turns.



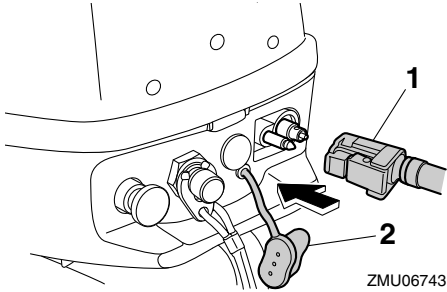
1. Air vent screw
2. If there is fuel in the built-in fuel tank, loosen the air vent screw by 1 or 2 turns to prevent pressure from increasing inside the tank due to fuel expansion.



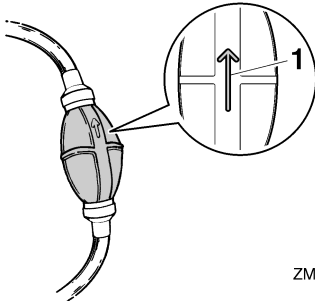
1. Air vent screw

Operation

3. Remove the fuel joint cap. Align the fuel joint on the fuel line with the fuel joint on the motor and connect the fuel line securely between the tank and the outboard motor while pinching the joint so that the primer pump arrow is pointing toward the outboard motor.

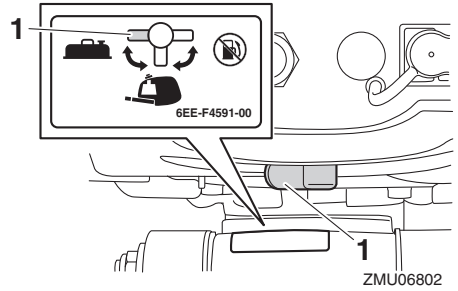


1. Fuel hose
2. Fuel joint cap

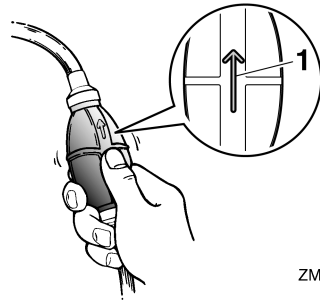


1. Arrow

4. Align the fuel cock with the portable fuel tank position.



1. Portable fuel tank position
5. Send fuel to the carburetor by squeezing the primer pump repeatedly, with the arrow pointing up, until you feel it become firm. While the engine is running, make sure to keep the portable fuel tank horizontal. Otherwise, fuel cannot be drawn from the fuel tank.



1. Arrow

EMU27495

Starting engine

EWM01601



Before starting the engine, make sure that the boat is tightly moored and that you can steer clear of any obstructions. Be sure there are no swimmers in the water near you.

EMU39407

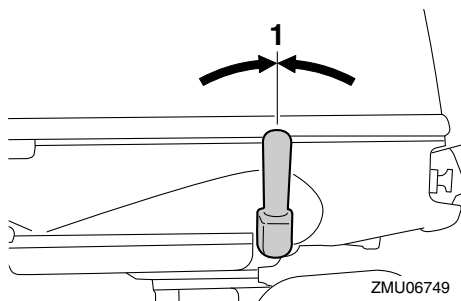
Manual start

EWM01842

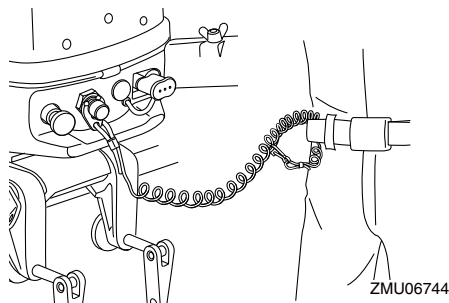
WARNING


- Failure to attach the engine shut-off cord could result in a runaway boat if operator is ejected. Attach the engine shut-off cord to a secure place on your clothing, or your arm or leg while operating. Do not attach the cord to clothing that could tear loose. Do not route the cord where it could become entangled, preventing it from functioning.
- Avoid accidentally pulling the cord during normal operation. Loss of engine power means the loss of most steering control. Also, without engine power, the boat could slow rapidly. This could cause people and objects in the boat to be thrown forward.

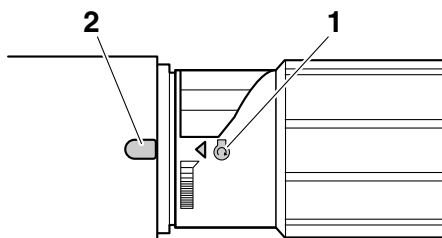
1. Move the gear shift lever to the neutral position.




1. Neutral position
2. Attach the engine shut-off cord to a secure place on your clothing, or your arm or leg. Then, install the clip on the other end of the cord to the engine shut-off switch.

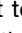


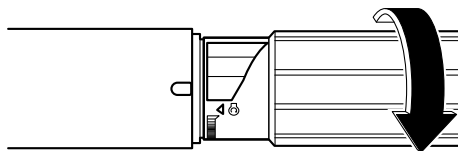
3. Align the engine start mark “” on the throttle grip with the notch in the tiller handle.



1. Start mark “”
2. Notch

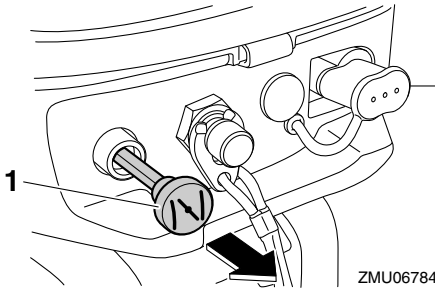
TIP:

If the ambient temperature is -15°C (5°F) or less, turn the throttle grip so that the engine start mark “” is positioned past the notch in the tiller handle.



4. Pull out the choke knob fully.

Operation

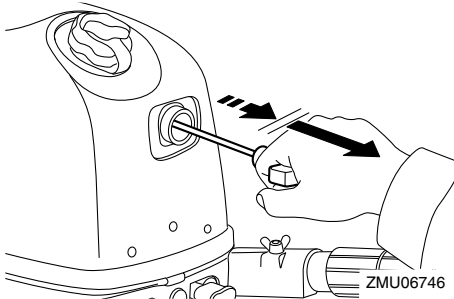


1. Choke knob

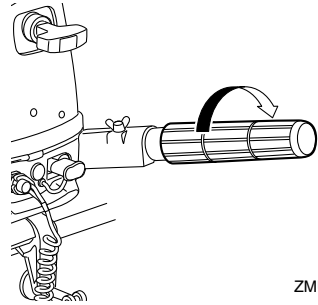
TIP:

It is not necessary to use the choke when starting a warm engine, such as immediately after the outboard motor has been operated under a load.

5. Pull the manual starter handle slowly until you feel resistance. Then give a strong pull straight out to crank and start the engine. If the engine does not start on the first try, repeat the procedure.



6. After the engine starts, slowly return the manual starter handle to its original position before releasing it.
7. Warm up the engine. For further information, see page 34.
8. Return the choke knob to its original position gradually.
9. Slowly return the throttle grip to the fully closed position.



EMU36511

Checks after starting engine

EMU36524

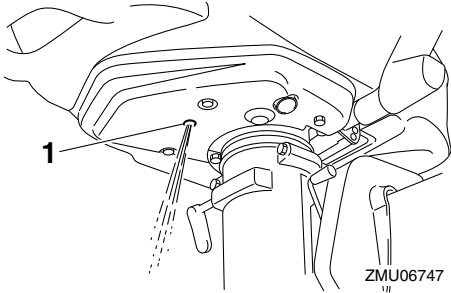
Cooling water

Check for a steady flow of water from the cooling water pilot hole. A continuous flow of water from the pilot hole indicates that the water pump is pumping water through the cooling water passages. If the cooling water passages are frozen, it may take a while for water to start flowing out of the pilot hole.

ECM01811

NOTICE

If water is not flowing out of the pilot hole at all times while the engine is running, overheating and serious damage could occur. Stop the engine and check whether the cooling water inlet on the lower case or the cooling water pilot hole is blocked. Consult your Yamaha dealer if the problem cannot be located and corrected.



1. Cooling water pilot hole

EMU27671

Warming up engine

EMU40073

Warming up

After starting the engine, return the choke knob to the halfway position. For approximately the first 5 minutes after starting, warm up the engine by operating at one fifth throttle or less. After the engine has warmed up, push the choke knob in fully. **NOTICE: Failure to do so will shorten engine life.** [ECM04550]

TIP:

- If the choke knob is left pulled out after the engine starts, the engine will stall.
- In temperatures of -5°C (23°F) or less, leave the choke knob pulled out fully for approximately 30 seconds after starting.

EMU36532

Checks after engine warm up

EMU36542

Shifting

While the boat is tightly moored, and without applying throttle, confirm that the engine shifts smoothly into forward and reverse, and back to neutral.

EMU36973

Stop switches

Perform the following procedure to check that the engine stop button and engine shut-off switch operate properly.

- Start the engine, and then check that the engine stops when the engine stop button is pushed.
- Restart the engine, and then check that the engine stops when the clip is pulled from the engine shut-off switch.
- Check that the engine cannot be started with the clip removed from the engine shut-off switch.

EMU39343

Shifting

EWM00181

WARNING

Before shifting, make sure there are no swimmers or obstacles in the water near you.

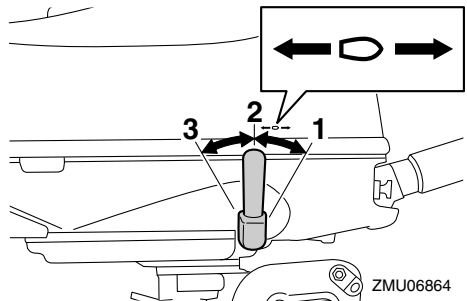
ECM02221

NOTICE

Before shifting the outboard motor, turn the throttle grip to the fully closed position and let the engine speed return to idle speed. Otherwise, the shift mechanism could be damaged.

To shift to forward or reverse

Move the gear shift lever to the forward position or reverse position.

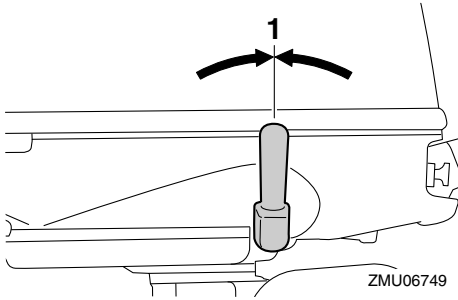


1. Forward position
2. Neutral position
3. Reverse position

Operation

To shift to neutral

1. Close the throttle so that the engine slows to idle speed.
2. Move the gear shift lever to the neutral position.



1. Neutral position

EMU39883

Stopping boat

EWM02322

WARNING

Do not use the reverse function to slow down or stop the boat as it could cause you to lose control, be ejected, or impact the load or other parts of the boat. This could increase the risk of serious injury. It could also damage the shift mechanism.

The boat is not equipped with a separate braking system. Water resistance stops it after the throttle lever is moved back to idle. The stopping distance varies depending on gross weight, water surface conditions, and wind direction.

EMU27822

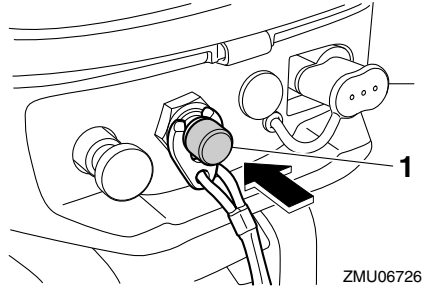
Stopping engine

Before stopping the engine, first let it cool off for a few minutes at idle or low speed. Stopping the engine immediately after operating at high speed is not recommended.

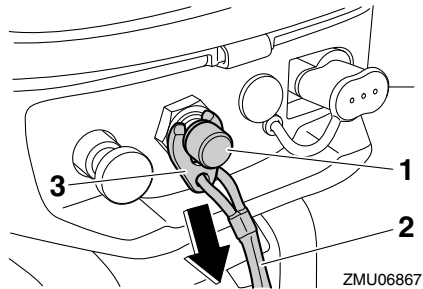
EMU39413

Procedure

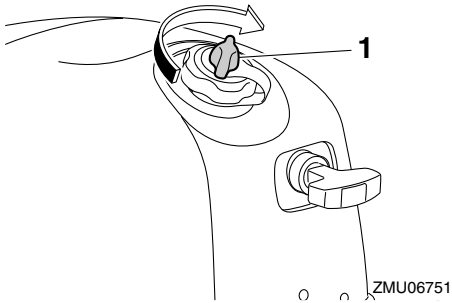
1. Push and hold the engine stop button until the engine stops completely. The engine can also be stopped by pulling the engine shut-off cord and removing the clip from the engine shut-off switch.



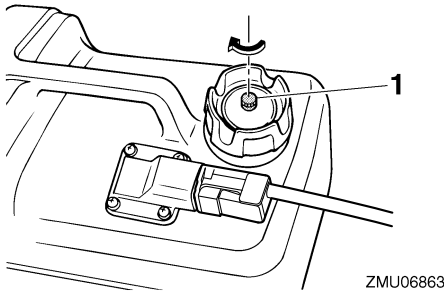
1. Engine stop button



1. Engine shut-off switch
 2. Engine shut-off cord (lanyard)
 3. Clip
2. Tighten the air vent screw on the fuel tank cap.

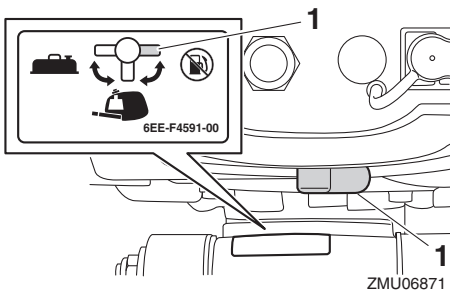


1. Air vent screw



1. Air vent screw

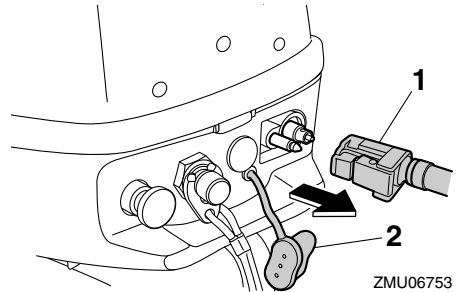
3. Align the fuel cock with the closed position.



1. Closed position

4. When using a portable fuel tank, disconnect the fuel hose, and then install the fuel joint cap. **WARNING! When not using a portable fuel tank, make sure to**

install the fuel joint cap. Otherwise, injury could result from striking the fuel joint accidentally. [EWM02412]



1. Fuel hose
2. Fuel joint cap

EMU27865

Trimming outboard motor

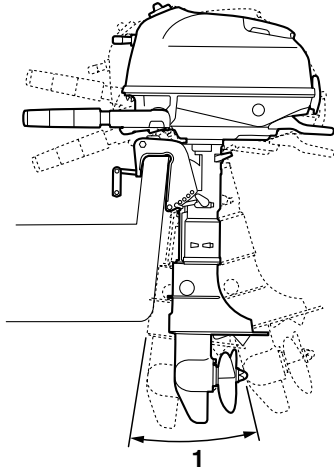
EWM00741

WARNING

Excessive trim for the operating conditions (either trim up or trim down) can cause boat instability and can make steering the boat more difficult. This increases the possibility of an accident. If the boat begins to feel unstable or is hard to steer, slow down and/or readjust the trim angle.

The trim angle of the outboard motor helps determine the position of the bow of the boat in the water. Correct trim angle will help improve performance and fuel economy while reducing strain on the engine. Correct trim angle depends upon the combination of boat, engine, and propeller. Correct trim is also affected by variables such as the load in the boat, sea conditions, and running speed.

Operation



ZMU06754

1. Trim operating angle

EMU39273

Adjusting trim angle for manual tilt models

EWM00401

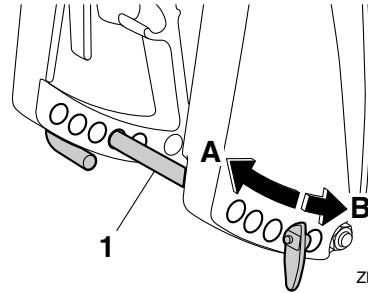
WARNING

- Stop the engine before adjusting the trim angle.
- Use care to avoid being pinched when removing or installing the rod.
- Use caution when trying a trim position for the first time. Increase speed gradually and watch for any signs of instability or control problems. Improper trim angle can cause loss of control.

There are 5 holes provided in the clamp bracket to adjust the outboard motor trim angle.

1. Stop the engine.

2. Tilt the outboard motor up, and then remove the trim rod from the clamp bracket.



ZMU06755

1. Trim rod
3. Change the position of the trim rod in direction "A" to raise the bow ("trim-out"). Change the position of the trim rod in direction "B" to lower the bow ("trim-in").

TIP:

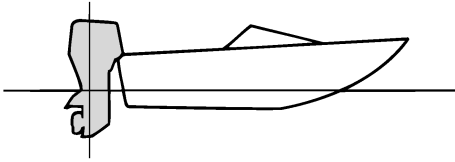
The outboard motor trim angle changes approximately 4 degrees when the trim rod position is changed by 1 hole.

4. Make test runs with the outboard motor set at different trim angles to find the position that works best for your boat and operating conditions.

EMU27913

Adjusting boat trim

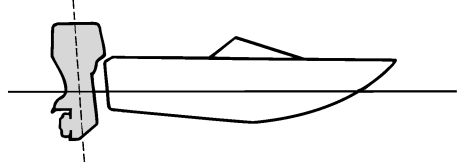
When the boat is on plane, a bow-up attitude results in less drag, greater stability and efficiency. This is generally when the keel line of the boat is up about 3 to 5 degrees. With the bow up, the boat may have a greater tendency to steer to one side or the other. Compensate for this as you steer. When the bow of the boat is down, it is easier to accelerate from a standing start onto plane.



ZMU01784

Bow Up

Too much trim-out puts the bow of the boat too high in the water. Performance and economy are decreased because the hull of the boat is pushing the water and there is more air drag. Excessive trim-out can also cause the propeller to ventilate, which reduces performance further, and the boat may “porpoise” (hop in the water), which could throw the operator and passengers overboard.



ZMU01786

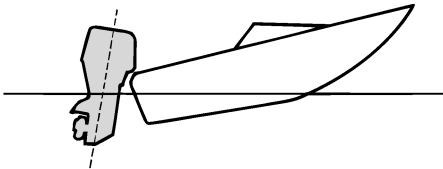
TIP:

Depending on the type of boat, the outboard motor trim angle may have little effect on the trim of the boat when operating.

EMU39593

Tilting up and down

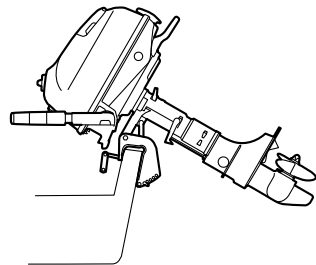
If the engine will be stopped for some time or if the boat is moored in shallows, the outboard motor should be tilted up to protect the propeller and lower case from damage due to collisions with obstructions, and also to reduce salt corrosion.



ZMU01785

Bow Down

Too much trim-in causes the boat to “plow” through the water, decreasing fuel economy and making it hard to increase speed. Operating with excessive trim-in at higher speeds also makes the boat unstable. Resistance at the bow is greatly increased, heightening the danger of “bow steering” and making operation difficult and dangerous.



ZMU06840

EWM00223

WARNING

Make sure that no one is near the outboard motor when tilting the outboard motor up or down. Otherwise, body parts could be crushed between the outboard motor and the clamp bracket.

Operation

EWM02313

WARNING

Leaking fuel is a fire hazard. When the outboard motor will be tilted up for more than a few minutes, tighten the air vent screw and fuel tank cap and align the fuel cock with the closed position. Otherwise, fuel may leak.

ECM02162

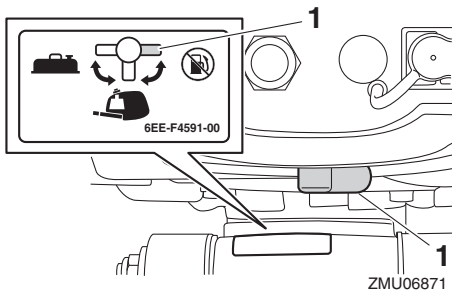
NOTICE

- Before tilting the outboard motor up, follow the procedure under “Stopping engine” in this chapter. Never tilt the outboard motor up while the engine is running. Severe damage from overheating can result.
- Do not tilt the outboard motor up by pushing the tiller handle because this could break the handle.
- The outboard motor cannot be tilted when in reverse.

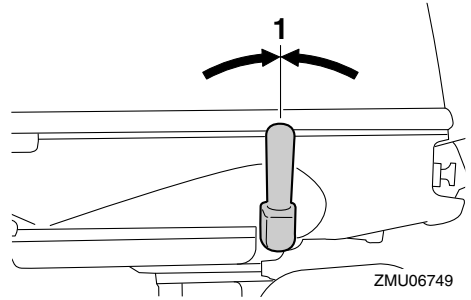
EMU39553

Procedure for tilting up

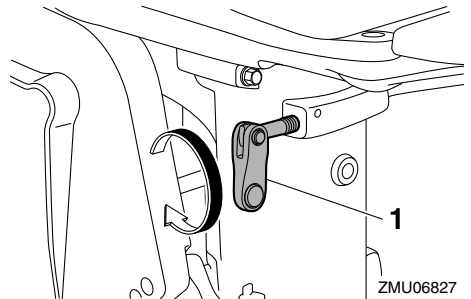
1. Align the fuel cock with the closed position.



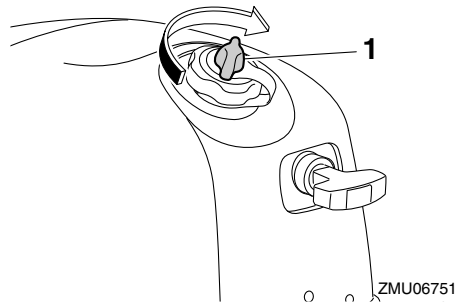
1. Closed position
2. Move the gear shift lever to the neutral position.



1. Neutral position
3. To prevent steering movement, turn the steering friction adjuster clockwise.

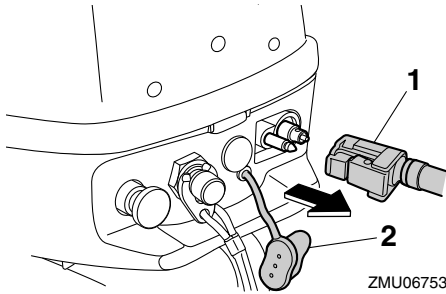


1. Steering friction adjuster
4. Tighten the air vent screw.

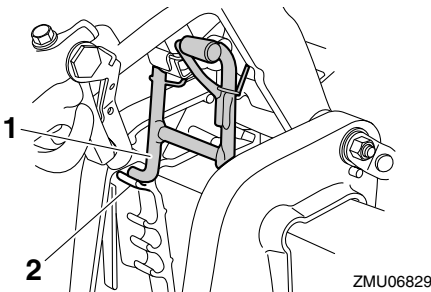


1. Air vent screw
5. When using a portable fuel tank, disconnect the fuel hose, and then install the fuel joint cap. **WARNING! When not using a portable fuel tank, make sure to**

install the fuel joint cap. Otherwise, injury could result from striking the fuel joint accidentally. [EWM02412]



1. Fuel hose
 2. Fuel joint cap
6. Hold the rear of the top cowling and fully tilt the outboard motor up. Slightly lower the outboard motor from the fully tilted up position and fit the tilt support bar securely into the holder located on the clamp bracket.

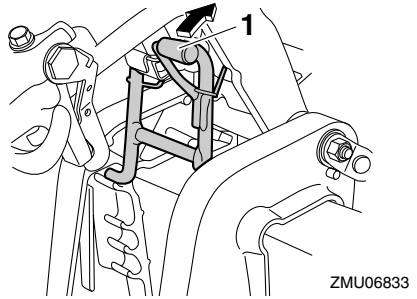


1. Tilt support bar
2. Holder

EMU39572

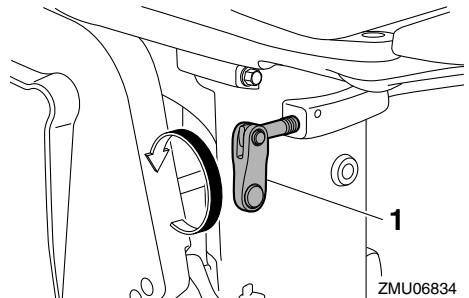
Procedure for tilting down

1. Slightly tilt the outboard motor up.
2. Slowly tilt the outboard motor down while pulling the tilt support bar up.



1. Tilt support bar
3. Turn the steering friction adjuster counterclockwise to set the steering friction according to operator preference. **WARNING! If there is too much resistance it could be difficult to steer, which could result in an accident.**

[EWM00722]



1. Steering friction adjuster

EMU28063

Shallow water

EMU39892

Cruising in shallow water

EWM02392



WARNING

- Operate the boat at the lowest possible speed when cruising in shallow water. Hitting an underwater obstacle could cause the outboard motor to lift out of the water, resulting in loss of control.

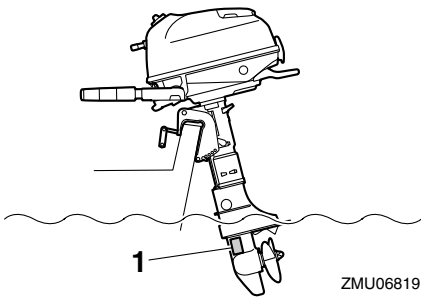
Operation

- When cruising in shallow water, do not operate in reverse. Reverse thrust can cause the outboard motor to lift out of the water, increasing the chance of an accident and personal injury.

ECM00261

NOTICE

Do not tilt the outboard motor up so that the cooling water inlet on the lower unit is above the surface of the water when setting up for and cruising in shallow water. Otherwise severe damage from overheating can result.

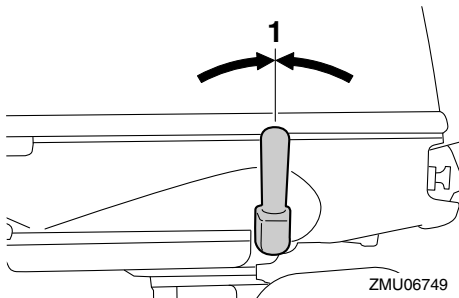


1. Cooling water inlet

EMU39584

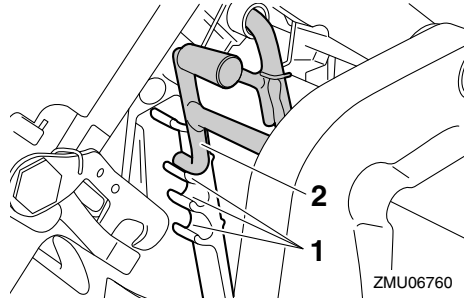
Procedure for shallow water cruising

1. Move the gear shift lever to the neutral position.



1. Neutral position

2. Hold the rear of the top cowling and slightly tilt the outboard motor up until the tilt support bar automatically locks. The outboard motor can be operated in this position for shallow water cruising. The outboard motor is equipped with 3 shallow water cruising positions.

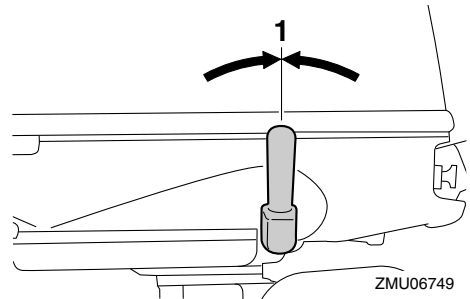


1. Shallow water cruising position
2. Tilt support bar

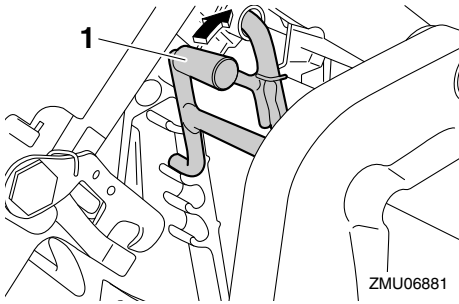
EMU40042

Procedure for returning to normal cruising

1. To tilt the outboard motor down to the normal running position, move the gear shift lever to the neutral position.



1. Neutral position
2. Slightly tilt the outboard motor up, and then slowly tilt the outboard motor down while pulling the tilt support bar up.



1. Tilt support bar

EMU35392

Cruising in other conditions

Cruising in salt water

After operating in salt water, flush the cooling water passages with fresh water to prevent them from becoming clogged. Also rinse the outside of the outboard motor with fresh water.

Cruising in muddy, turbid, or acidic water

Water in some areas can be acidic or with a lot of sediment in it, such as muddy or turbid (cloudy) water. After operating in such water, flush the cooling passages with fresh water to prevent corrosion. Also rinse the outside of the outboard motor with fresh water.

Maintenance

EMU39905

Transporting and storing outboard motor

EWM02631

WARNING

- **USE CARE** when transporting fuel tank, whether in a boat or car.
- **DO NOT** fill fuel container to maximum capacity. Gasoline will expand considerably as it warms up and can build up pressure in the fuel container. This can cause fuel leakage and a potential fire hazard.
- **Leaking fuel is a fire hazard.** When transporting and storing the outboard motor, close the fuel cock to prevent fuel from leaking.
- **Never get under the outboard motor while it is tilted.** Severe injury could occur if the outboard motor accidentally falls.
- **Do not use the tilt support bar when trailering the boat.** The outboard motor could shake loose from the tilt support and fall. If the outboard motor cannot be trailered in the normal running position, use an additional support device to secure it in the tilt position.

ECM02441

NOTICE

When storing the outboard motor for prolonged time, fuel must be drained from the fuel tank. The deteriorated fuel could clog the fuel line causing engine start difficulty or malfunction.

When storing or transporting the outboard motor, make sure to follow the procedure listed below.

- Disconnect the fuel line from the outboard motor.

- Close the fuel cock on the outboard motor, and then tighten the built-in fuel tank cap and its air vent screw.
- Tighten the portable fuel tank cap and its air vent screw.
- When the outboard motor is tilted prolonged time for mooring or trailering the boat, disconnect the fuel line and close the fuel cock on the outboard motor. Tighten the built-in fuel tank cap and its air vent screw. Also tighten the portable fuel tank cap and its air vent screw.

The outboard motor should be transported and stored in the normal running position. If there is insufficient road clearance in this position, then trailer the outboard motor in the tilt position using a motor support device such as a transom saver bar. Consult your Yamaha dealer for further details.

EMU39424

Dismounting and transporting the outboard motor

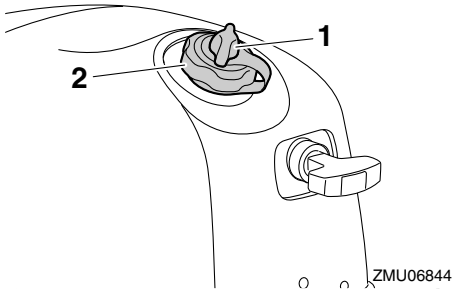
EWM02301

WARNING

Do not hold the top cowling or tiller handle when mounting or dismantling the outboard motor. Otherwise, the outboard motor could fall.

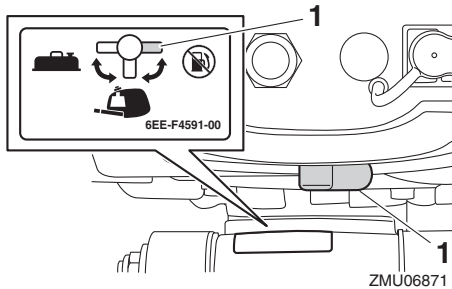
To dismantle the outboard motor

1. Stop the engine and land the boat.
2. Tighten the fuel tank cap and air vent screw securely.



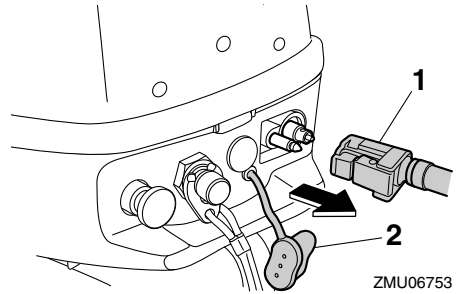
1. Air vent screw
2. Fuel tank cap

3. Align the fuel cock with the closed position.

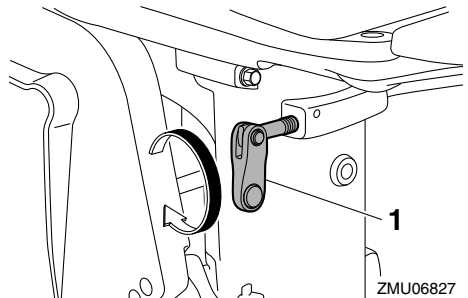


1. Closed position
4. When using a portable fuel tank, disconnect the fuel hose from the fuel joint, and then install the fuel joint cap. **WARNING! When not using a portable fuel tank, make sure to install the fuel joint cap. Otherwise, injury could result from striking the fuel joint accidentally.**

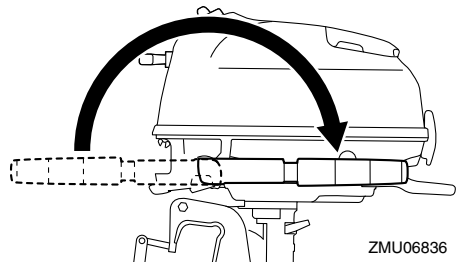
[EWM02412]



1. Fuel hose
2. Fuel joint cap
5. To prevent steering movement, turn the steering friction adjuster clockwise.



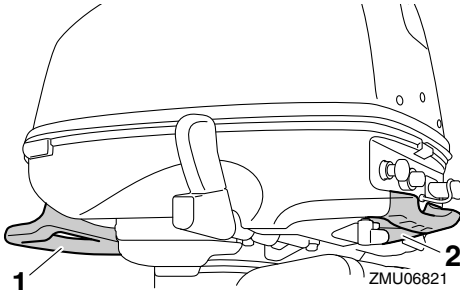
1. Steering friction adjuster
6. Turn the tiller handle 180° so that it is pointing rearward.



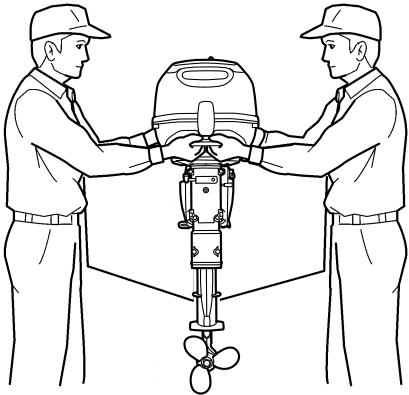
7. Loosen the clamp screws.

Maintenance

8. Hold the carrying handle and the handgrip on the front side of the bottom cowl- ing and lift up the outboard motor using two people to dismount it from the boat.

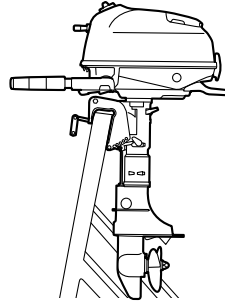


1. Carrying handle
2. Handgrip



To transport the outboard motor

When transporting or storing the outboard motor while removed from a boat, it is recom- mended that you use an outboard motor stand.

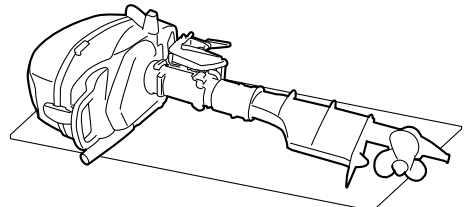


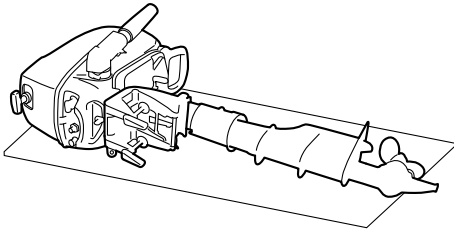
To transport the outboard motor horizontally
When transporting the outboard motor on its side, observe the following precautions.

- Tighten the clamp screws completely and place a mat or something similar under the outboard motor. Otherwise, the outboard motor could be damaged or vibration dur- ing transport could cause a small amount of oil or cooling water to leak out. **NOTICE: Do not place the outboard motor on its side before the cooling water has drained from it completely. Otherwise, water may enter the cylinder through the exhaust valve and cause engine trouble.**

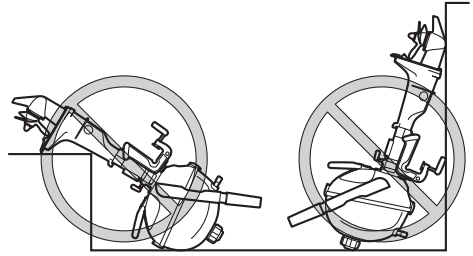
[ECM0501 0]

- If the front side of the outboard motor is facing down, turn the clamp bracket 90° so that it does not contact the ground, and then turn the steering friction adjuster clockwise to secure the bracket.

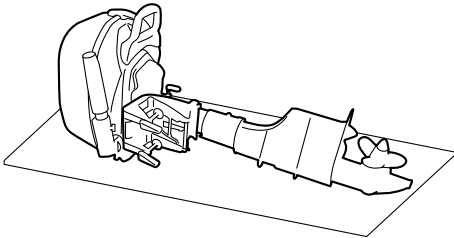




ZMU06762

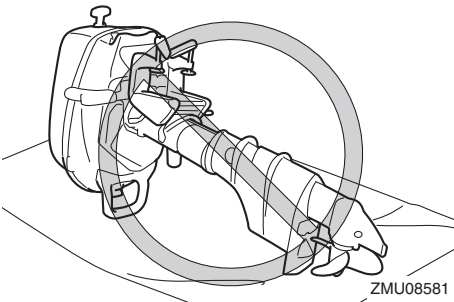


ZMU08565



ZMU06807

- Do not place the outboard motor on its side in an attitude other than those shown in the preceding illustrations.



ZMU08581

EMU39913

Storing outboard motor

When storing your Yamaha outboard motor for prolonged periods of time (2 months or longer), several important procedures must be performed to prevent excessive damage. It is advisable to have your outboard motor serviced by an authorized Yamaha dealer prior to storage. However, the following procedures can be performed by the owner.

ECM02213

NOTICE

- Do not place the outboard motor on its side before the cooling water has drained from it completely. Otherwise, water may enter the cylinder through the exhaust valve and cause engine trouble.
- Transport and store the outboard motor as specified in “Dismounting the outboard motor”.
- Store the outboard motor in a dry, well-ventilated place, not in direct sunlight.

EMU28306

Procedure

EMU39613

Flushing in a test tank

ECM00302

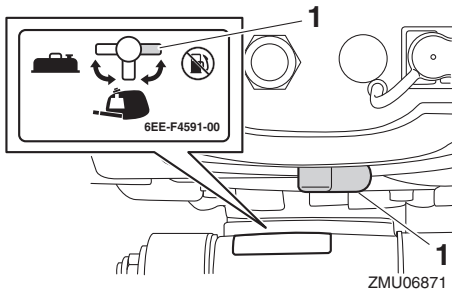
NOTICE

Before starting the engine, make sure to supply water to the cooling water passages. Otherwise, the engine could overheat and be damaged.

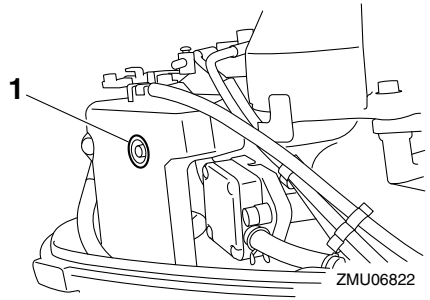
Maintenance

Cooling system flushing is essential to prevent the cooling system from clogging up with salt, sand, or dirt. In addition, fogging/lubricating of the engine is mandatory to prevent excessive engine damage due to rust. Perform the flushing and fogging at the same time.

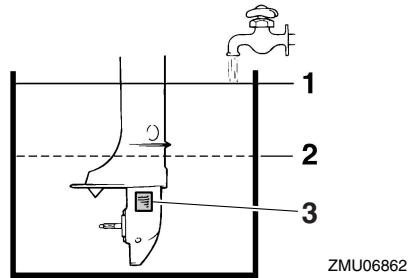
1. Wash the outboard motor body using fresh water. **NOTICE: Do not spray water into the air intake.** [ECM01841] For further information, see page 48.
2. When using the built-in fuel tank, completely drain the fuel from the tank, and then align the fuel cock with the closed position and tighten the air vent screw. For draining of the built-in fuel tank, consult a Yamaha dealer.
3. When using a portable fuel tank, disconnect the fuel hose, install the fuel joint cap, and then align the fuel cock with the closed position.



1. Closed position
4. Remove the top cowling and fogging hole cap.



1. Cap
5. Remove the propeller. For further information, see page 58.
6. Install the outboard motor on the test tank.



1. Water surface
2. Lowest water level
3. Cooling water inlet
7. Fill the test tank with fresh water to above the level of the anti-cavitation plate. **NOTICE: If the fresh water level is below the level of the anti-cavitation plate, or if the water supply is insufficient, engine seizure may occur.**

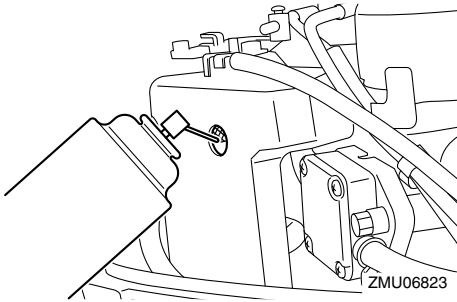
[ECM00292]

8. Move the gear shift lever to the neutral position.
9. Start the engine and run it for a few minutes at engine idle speed. **WARNING! Do not touch or remove electrical parts when starting or during operation.**

Keep hands, hair, and clothes away from the flywheel and other rotating parts while the engine is running.

[EWM00092]

10. Before the engine stops, quickly spray “Fogging Oil” into the fogging hole of the silencer. When properly done, the engine will smoke excessively and stop.



11. If “Fogging Oil” is not available, run the engine at engine idle speed until the fuel system empties and the engine stops. Check that the engine has stopped, and then remove the spark plug. Pour a teaspoonful of clean engine oil into the cylinder. Crank several times manually. Install the spark plug.
12. Remove the outboard motor from the test tank.
13. Drain the cooling water completely out of the outboard motor. Clean the body thoroughly.
14. Install the fogging hole cap and top cowling.
15. Install the propeller. For further information, see page 58.

EMU41072

Lubrication

1. Change the gear oil. For instructions, see page 59. Check the gear oil for the presence of water that indicates a leaky seal.

Seal replacement should be performed by an authorized Yamaha dealer prior to use.

2. Lubricate all grease fittings. For further details, see page 53.

TIP:

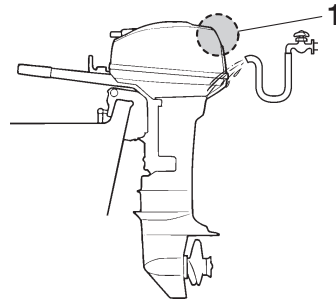
For long-term storage, fogging the engine with fogging oil is recommended. Contact your Yamaha dealer for information about fogging oil and procedures for your outboard motor.

EMU44342

Cleaning the outboard motor

When cleaning the outboard motor, the top cowling must be installed.

1. Wash the exterior of the outboard motor using fresh water. **NOTICE: Do not spray water into the air intake.** [ECM01841]



ZMU07862

1. Air intake
2. Drain the cooling water completely out of the outboard motor. Clean the body thoroughly.

EMU28463

Checking painted surface of outboard motor

Check the outboard motor for scratches, nicks, or flaking paint. Areas with damaged paint are more likely to corrode. If necessary, clean and paint the areas. Touch-up paint is available from your Yamaha dealer.

Maintenance

EMU37075

Periodic maintenance

EWM01982



These procedures require mechanical skills, tools, and supplies. If you do not have the proper skills, tools, or supplies to perform a maintenance procedure, have a Yamaha dealer or other qualified mechanic do the work.

The procedures involve disassembling the motor and exposing dangerous parts. To reduce the risk of injury from moving, hot, or electrical parts:

- **Turn off the engine and keep engine shut-off cord (lanyard) with you when you perform maintenance unless otherwise specified.**
- **Allow the engine to cool before handling hot parts or fluids.**
- **Always completely reassemble the motor before operation.**

EMU28512

Replacement parts

If replacement parts are necessary, use only genuine Yamaha parts or parts of equivalent design and quality. Any part of inferior quality may malfunction, and the resulting loss of control could endanger the operator and passengers. Yamaha genuine parts and accessories are available from your Yamaha dealer.

EMU34152

Severe operating conditions

Severe operating conditions involve one or more of the following types of operation on a regular basis:

- Operating continuously at or near maximum engine speed (rpm) for many hours
- Operating continuously at a low engine speed (rpm) for many hours
- Operating without sufficient time for engine to warm up and cool down

- Frequent quick acceleration and deceleration
 - Frequent shifting
 - Frequently starting and stopping the engine(s)
 - Operation that fluctuates often between light and heavy cargo loads
- Outboard motors operating under any of these above conditions require more frequent maintenance. Yamaha recommends that you do this service twice as often as specified in the maintenance chart. For example, if a particular service should be done at 50 hours, do it instead at 25 hours. This will help prevent more rapid deterioration of engine components.

EMU46071

Maintenance chart 1

TIP:

- Refer to the sections in this chapter for explanations of each owner-specific action.
- The maintenance cycle on these charts assume usage of 100 hours per year and regular flushing of the cooling water passages. Maintenance frequency should be adjusted when operating the engine under adverse conditions such as extended trolling.
- Disassembly or repairs may be necessary depending on the outcome of maintenance checks.
- Expendable or consumable parts and lubricants will lose their effectiveness over time and through normal usage regardless of the warranty period.
- When operating in salt water, muddy, other turbid (cloudy), acidic water, the engine should be flushed with clean water after each use.

The “●” symbol indicates the check-ups which you may carry out yourself.

The “○” symbol indicates work to be carried out by your Yamaha dealer.

Item	Actions	Initial	Every			Page
		20 hours (3 months)	100 hours (1 year)	300 hours (3 years)	500 hours (5 years)	
Anode (external)	Inspection or replacement as necessary		●/○			60
Anode(s) (internal) *1	Inspection or replacement as necessary		○			—
Anode(s) (internal) *2	Replacement				○	—
Cooling water leakage	Inspection or replacement as necessary	○	○			—
Cowling lock lever	Inspection		●/○			25, 27
Engine starting condition/noise	Inspection	●/○	●/○			29
Engine idle speed/noise	Inspection	○	○			—
Engine oil	Replacement	●/○	●/○			55
Engine oil filter (crankcase)	Inspection, cleaning or replacement as necessary		○			—
Fuel filter (disposal type)	Replacement		○			—
Fuel filter (inside built-in fuel tank)	Inspection and cleaning as necessary		○			—

Maintenance

Item	Actions	Initial	Every			Page
		20 hours (3 months)	100 hours (1 year)	300 hours (3 years)	500 hours (5 years)	
Fuel line	Inspection	●	●			—
Fuel line	Inspection or replacement as necessary	○	○			—
Fuel pump	Inspection or replacement as necessary			○		—
Fuel/engine oil leakage	Inspection	○	○			—
Gear oil	Replacement	●/○	●/○			59
Greasing points	Greasing	●/○	●/○			53
Impeller/water pump housing	Inspection or replacement as necessary		○			—
Impeller/water pump housing	Replacement			○		—
Propeller/propeller nut/cotter pin	Inspection or replacement as necessary	●/○	●/○			57
Shift link	Inspection, adjustment or replacement as necessary	○	○			—
Spark plug	Inspection or replacement as necessary		●/○			54
Spark plug cap/spark plug wire	Inspection or replacement as necessary	○	○			—
Water from the cooling water pilot hole	Inspection	●/○	●/○			33
Throttle link/throttle cable	Inspection, adjustment or replacement as necessary	○	○			—
Thermostat	Inspection or replacement as necessary		○			—
Valve clearance	Inspection and adjustment				○	—
Cooling water inlet	Inspection	●/○	●/○			13
Stop switch	Inspection or replacement as necessary	○	○			—

Maintenance

Item	Actions	Initial	Every			Page
		20 hours (3 months)	100 hours (1 year)	300 hours (3 years)	500 hours (5 years)	
Connector connections/lead connections	Inspection or replacement as necessary	○	○			—
Fuel tank (optional Yamaha portable fuel tank)	Inspection and cleaning as necessary		○			—
Fuel tank (built-in tank)	Inspection and cleaning as necessary		○			—

EMU46000

*1 thermostat cover

*2 thermostat cover

EMU46080

Maintenance chart 2

Item	Actions	Every	Page
		1000 hours	
Exhaust guide/exhaust manifold	Inspection or replacement as necessary	○	—

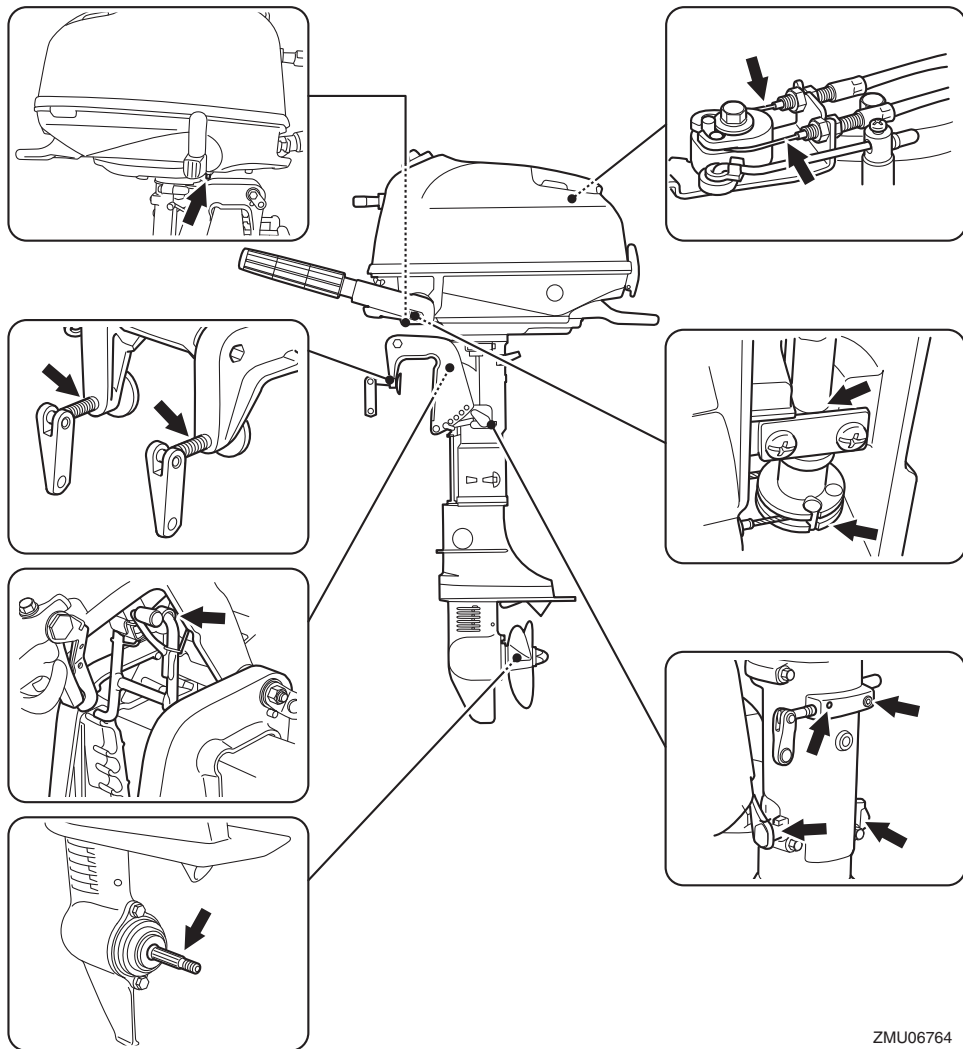
Maintenance

EMU28945

Greasing

Yamaha grease A (water resistant grease)

Yamaha grease D (corrosion resistant grease; for propeller shaft)



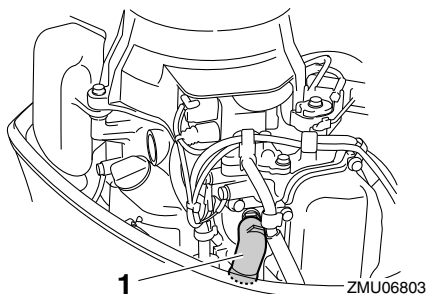
ZMU06764

EMU39296

Cleaning and adjusting spark plug

The spark plug is an important engine component. The condition of the spark plug can indicate something about the condition of the engine. For example, if the center electrode porcelain is very white, this could indicate an intake air leak or carburetion problem in that cylinder. Do not attempt to diagnose any problems yourself. Instead, take the outboard motor to a Yamaha dealer. You should periodically remove and inspect the spark plug because heat and deposits will cause the spark plug to slowly break down and erode.

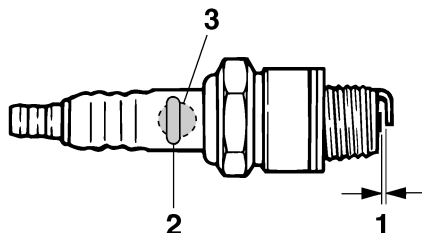
1. Remove the spark plug cap from the spark plug.



1. Spark plug cap
2. Remove the spark plug. If electrode erosion becomes excessive, or if carbon and other deposits are excessive, you should replace the spark plug with another of the correct type. **WARNING! When removing or installing a spark plug, be careful not to damage the insulator. A damaged insulator could allow external sparks, which could lead to explosion or fire.** [EWM00562]

Standard spark plug:
CR6HSB

3. Be sure to use the specified spark plug, otherwise the engine may not operate properly. Before fitting the spark plug, measure the electrode gap with a wire thickness gauge; replace it if out of specification.



1. Spark plug gap
2. Spark plug part number
3. Spark plug I.D. mark (NGK)

Spark plug gap:

0.6–0.7 mm (0.024–0.028 in)

4. When fitting the plug, wipe off any dirt from the threads, and then screw it in to the correct torque.

Spark plug torque:

13 Nm (1.33 kgf-m, 9.6 ft-lb)

TIP:

If a torque-wrench is not available when you are reinstalling a spark plug, a good estimate of the correct torque is 1/12 turn past finger-tight. When you are installing a new spark plug, a good estimate of the correct torque is 1/2 turn past finger-tight.

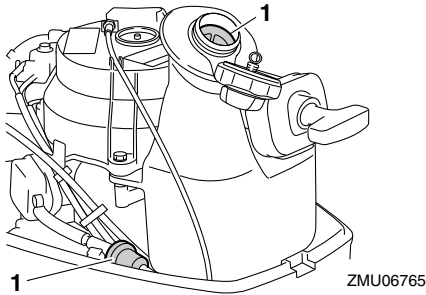
EMU39922

Checking fuel filter

The fuel filters are located in the filler hole of the built-in fuel tank and in the bottom cowl-ing. Check the fuel filters periodically. If for-

Maintenance

When debris material is found in the filters, clean or replace them. For cleaning or replacement of the fuel filters, consult a Yamaha dealer.



1. Fuel filter

EMU40141

Inspecting idle speed

ECM02231

NOTICE

When checking the engine idle speed, make sure to supply water to the cooling water passages by placing the outboard motor in the water or by using a flushing attachment or test tank.

To check the engine idle speed, a diagnostic tachometer is required. For checking or adjustment of the engine idle speed, consult a Yamaha dealer.

EMU3951C

Changing engine oil

EWM00761

WARNING

- Avoid draining the engine oil immediately after stopping the engine. The oil is hot and should be handled with care to avoid burns.
- Be sure the outboard motor is securely fastened to the transom or a stable stand.

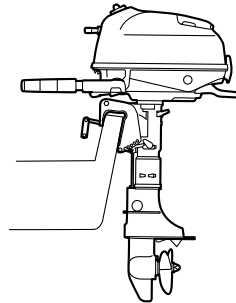
ECM01711

NOTICE

Change the engine oil after the first 20 hours of operation or 3 months, and every 100 hours or at 1-year intervals thereafter. Otherwise the engine will wear quickly.

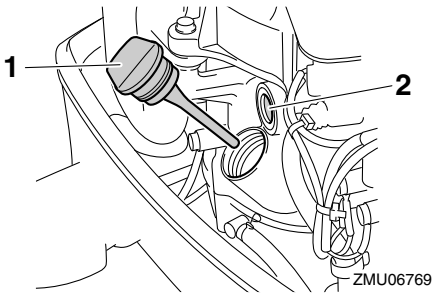
To prevent spilling oil where it could cause damage to nature, it is strongly recommended that you use an oil changer to change the engine oil. If an oil changer is not available, drain the engine oil by removing the drain screw. If you are not familiar with the procedure for changing the engine oil, consult your Yamaha dealer.

1. Put the outboard motor in an upright position (not tilted). **NOTICE: If the outboard motor is not level, the oil level indicated on the oil dipstick may not be accurate.** [ECM01862]



ZMU06766

2. Start the engine. Warm it up and keep the idle speed for 5-10 minutes.
3. Stop the engine and leave it for 5-10 minutes.
4. Remove the top cowling.
5. Remove the oil filler cap.

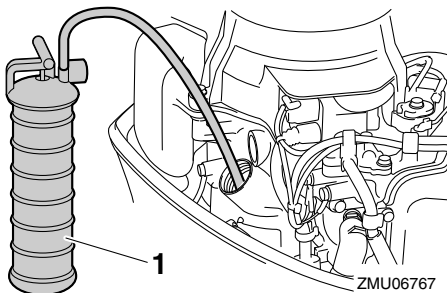


1. Oil filler cap
2. Oil lubrication check window

TIP:

The oil lubrication check window does not indicate the engine oil level. Use the oil lubrication check window to make sure that the engine is being lubricated with oil while it is running.

6. Insert the tube of the oil changer into the oil filler hole, and then extract the engine oil completely using the oil changer.

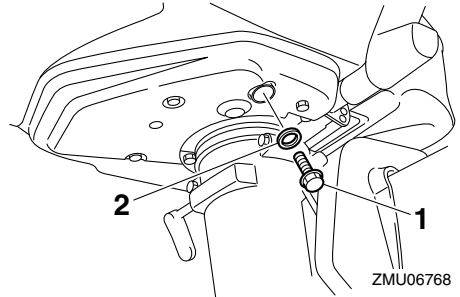


1. Oil changer

TIP:

When using an oil changer, skip steps 7 and 8.

7. Prepare a suitable container that holds a larger amount than the engine oil capacity. Remove the drain screw and gasket while holding the container under the drain hole. Let the oil drain completely. Wipe up any spilled oil immediately.



1. Drain screw
2. Gasket

TIP:

If the oil does not drain easily, change the tilt angle or turn the outboard motor to port and starboard to drain the oil.

8. Put a new gasket on the oil drain screw. Apply a light coat of oil to the gasket and install the drain screw.

Drain screw tightening torque:
18 Nm (1.84 kgf-m, 13.3 ft-lb)

TIP:

If a torque wrench is not available when you are installing the drain screw, finger tighten the screw just until the gasket comes into contact with the surface of the drain hole. Then tighten 1/4 to 1/2 turn more. Tighten the drain screw to the correct torque with a torque wrench as soon as possible.

9. Add the correct amount of oil through the filler hole. **NOTICE: Overfilling the oil could cause leakage or damage. If the oil level is above the upper mark, extract oil until the oil is between the upper and lower marks.** [ECM02183]
10. Install the oil filler cap and tighten it completely.

Maintenance

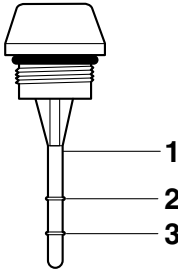
Recommended engine oil:

YAMALUBE 4 or 4-stroke outboard motor oil

Engine oil quantity:

0.6 L (0.63 US qt, 0.53 Imp.qt)

11. Wait 5-10 minutes until the oil settles.
12. Remove the oil filler cap and wipe the attached oil dipstick clean.
13. Install the oil filler cap and tighten it completely.
14. Remove the oil filler cap again and check that the oil level on the dipstick is between the upper and lower marks. If the oil level is not at the proper level, add or extract oil until the oil is between the upper and lower marks.



ZMU06737

1. Oil dipstick
 2. Upper mark
 3. Lower mark
15. Install the top cowling.
 16. Start the engine and make sure that there are no oil leaks. **NOTICE: If there are oil leaks, stop the engine and find the cause. Consult your Yamaha dealer if the problem cannot be located and corrected. Continued operation with a problem could cause severe engine damage.** [ECM02151]
 17. Dispose of used oil according to local regulations.

TIP:

- For more information on the disposal of used oil, consult your Yamaha dealer.
- Change the oil more often when operating the engine under adverse conditions such as extended trolling.

EMU39773

Checking electrical connectors and electrical leads

For checking of the following items for the connectors and leads, consult a Yamaha dealer.

- Check that each connector is connected securely.
- Check that each ground lead is secured properly.

EMU39303

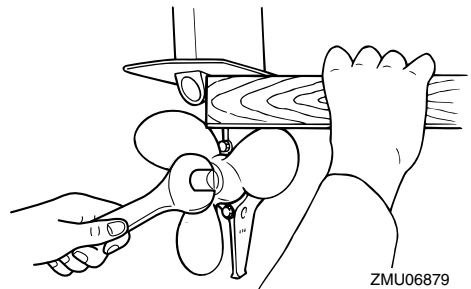
Checking propeller

EWM02281

WARNING

You could be seriously injured if the engine accidentally starts when you are near the propeller. Before inspecting, removing, or installing the propeller, place the gear shift lever in neutral, and remove the clip from the engine shut-off switch.

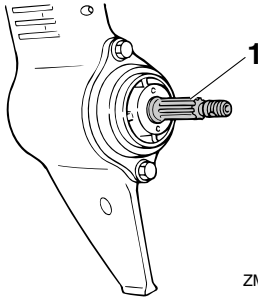
Do not use your hand to hold the propeller when loosening or tightening the propeller nut. Put a wood block between the anti-cavitation plate and the propeller to prevent the propeller from turning.



ZMU06879

Checkpoints

- Check each of the propeller blades for erosion from cavitation or ventilation, or other damage.
- Check the propeller shaft for damage.
- Check the splines for wear or damage.
- Check for fish line tangled around the propeller shaft.



ZMU06777

1. Propeller shaft

- Check the propeller shaft oil seal for damage.

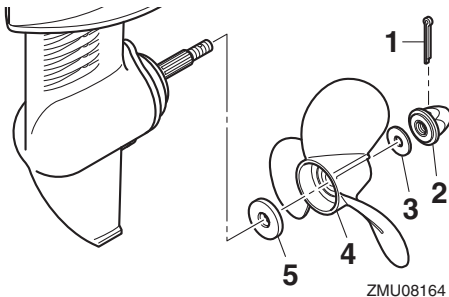
EMU30663

Removing propeller

EMU39311

Spline models

1. Straighten the cotter pin and pull it out using a pair of pliers.
2. Remove the propeller nut and washer. **WARNING! Do not use your hand to hold the propeller when loosening the propeller nut.** [EWM01891]



ZMU08164

1. Cotter pin
2. Propeller nut

3. Washer
4. Propeller
5. Thrust washer

3. Remove the propeller and thrust washer.

EMU30673

Installing propeller

EMU39327

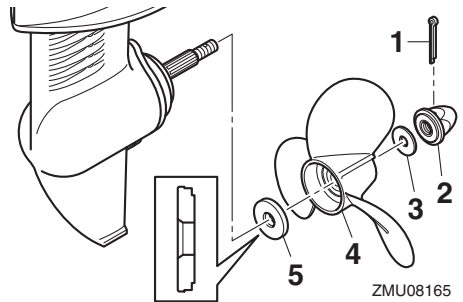
Spline models

ECM00502

NOTICE

Make sure to use a new cotter pin and bend the ends over securely. Otherwise, the propeller could come off during operation and be lost.

1. Apply Yamalube Marine Grease or Yamaha grease D (corrosion resistant grease) to the propeller shaft.
2. Install the thrust washer and propeller onto the propeller shaft. **NOTICE: Make sure to install the thrust washer before installing the propeller. Otherwise, the lower case and propeller boss could be damaged.** [ECM01882]
3. Install the washer and tighten the propeller nut until there is no looseness in the propeller.



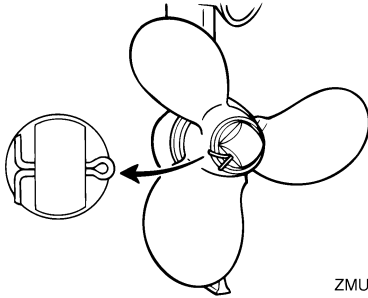
ZMU08165

1. Cotter pin
2. Propeller nut
3. Washer
4. Propeller
5. Thrust washer

Maintenance

- Align the propeller nut hole with the propeller shaft hole. Insert a new cotter pin in the holes and bend the cotter pin ends.

NOTICE: Do not reuse the cotter pin. Otherwise, the propeller can come off during operation. [ECM01892]



TIP:

If the propeller nut hole does not align with the propeller shaft hole after tightening the propeller nut, tighten the nut further or loosen the nut to align the holes.

EMU39785

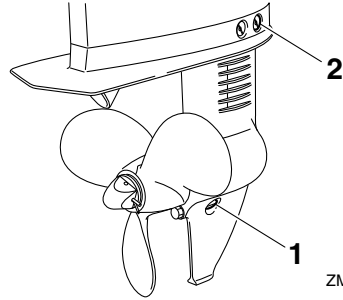
Changing gear oil

EWM02351

WARNING

Be sure the outboard motor is securely fastened to the transom or a stable stand. You could be severely injured if the outboard motor falls on you.

- Put the outboard motor in an upright position (not tilted).
- Place a suitable container under the gear case.
- Remove the gear oil drain screw and gasket.



- Gear oil drain screw
 - Oil level plug
- Remove the oil level plug and gasket to allow the oil to drain completely.
NOTICE: Check the used gear oil after it has been drained. If the gear oil is milky or contains water or a large amount of metal particles, the gear case may be damaged. Have a Yamaha dealer check and repair the outboard motor. [ECM00714]

TIP:

For disposal of used oil, consult your Yamaha dealer.

- Using a flexible or pressurized filling device, inject the gear oil into the gear oil drain screw hole.

Recommended gear oil:

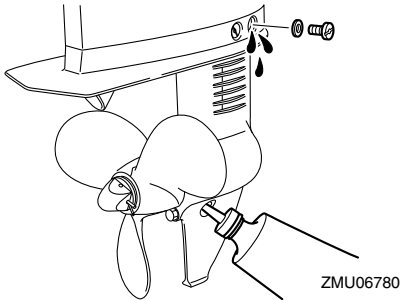
YAMALUBE outboard gear oil or Hypoid gear oil

Recommended gear oil grade:

SAE 90 API GL-4

Gear oil quantity:

0.100 L (0.106 US qt, 0.088 Imp.qt)



- Put a new gasket on the oil level plug. When the oil begins to flow out of the oil level plug hole, insert and tighten the oil level plug.

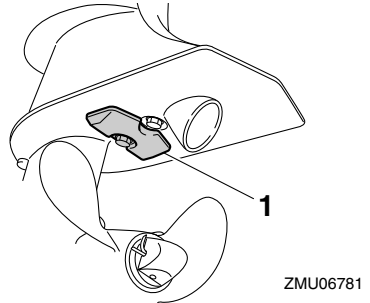
Tightening torque:

7 Nm (0.71 kgf-m, 5.2 ft-lb)

- Put a new gasket on the gear oil drain screw. Insert and tighten the gear oil drain screw.

Tightening torque:

7 Nm (0.71 kgf-m, 5.2 ft-lb)



- Anode

EMU39333

Inspecting and replacing anode (external)

Yamaha outboard motors are protected from corrosion by sacrificial anode. Inspect the external anode periodically. Remove scales from the surface of the anode. Consult a Yamaha dealer for replacement of the external anode.

ECM00721

NOTICE

Do not paint anodes, as this would render them ineffective.

Trouble Recovery

EMU39524

Troubleshooting

This section describes the likely causes and remedies for problems, such as those in the fuel, compression, and ignition systems, poor starting, and loss of power. Please note that all of the items in this section may not apply to your model.

If your outboard motor requires repair, bring it to a Yamaha dealer.

Engine will not start.

Q. Is fuel tank empty?

A. Fill tank with clean, fresh fuel.

Q. Is fuel contaminated or stale?

A. Fill tank with clean, fresh fuel.

Q. Is fuel filter clogged?

A. Clean or replace filter.

Q. Is fuel pump malfunctioning?

A. Have serviced by a Yamaha dealer.

Q. Is spark plug fouled or of incorrect type?

A. Inspect spark plug. Clean or replace with recommended type.

Q. Is spark plug cap fitted incorrectly?

A. Check and re-fit cap.

Q. Is spark plug wiring damaged or poorly connected?

A. Check wires for wear or breaks. Tighten all loose connections. Replace worn or broken wires.

Q. Are electrical parts malfunctioning?

A. Have serviced by a Yamaha dealer.

Q. Is clip on engine shut-off cord (lanyard) installed?

A. Install clip to engine shut-off switch.

Q. Are engine inner parts damaged?

A. Have serviced by a Yamaha dealer.

Engine idles irregularly or stalls.

Q. Is fuel system obstructed?

A. Check for pinched or kinked fuel line or other obstructions in fuel system.

Q. Is fuel contaminated or stale?

A. Fill tank with clean, fresh fuel.

Q. Is fuel filter clogged?

A. Clean or replace filter.

Q. Are electrical parts malfunctioning?

A. Have serviced by a Yamaha dealer.

Q. Is spark plug gap incorrect?

A. Replace spark plug.

Q. Is spark plug wiring damaged or poorly connected?

A. Check wires for wear or breaks. Tighten all loose connections. Replace worn or broken wires.

Q. Is specified engine oil not being used?

A. Check and replace oil with specified type.

Q. Is thermostat malfunctioning or clogged?

A. Have serviced by a Yamaha dealer.

Q. Are carburetor adjustments incorrect?

A. Have serviced by a Yamaha dealer.

Q. Is fuel pump malfunctioning?

A. Have serviced by a Yamaha dealer.

Q. Is air vent screw tightened?

Trouble Recovery

A. Loosen air vent screw.

Q. Is choke knob pulled out?

A. Return to home position.

Q. Is carburetor clogged?

A. Have serviced by a Yamaha dealer.

Q. Is fuel joint connection incorrect?

A. Connect correctly.

Q. Is throttle cable adjustment incorrect?

A. Have serviced by a Yamaha dealer.

Engine power loss.

Q. Is propeller damaged?

A. Have propeller repaired or replaced.

Q. Is propeller pitch or diameter incorrect?

A. Install correct propeller to operate outboard at its recommended speed (r/min) range.

Q. Is trim angle incorrect?

A. Adjust trim angle to achieve most efficient operation.

Q. Is outboard motor mounted at incorrect height on transom?

A. Have outboard motor adjusted to proper transom height.

Q. Is boat bottom fouled with marine growth?

A. Clean boat bottom.

Q. Is spark plug fouled or of incorrect type?

A. Inspect spark plug. Clean or replace with recommended type.

Q. Are weeds or other foreign material tangled on gear housing?

A. Remove foreign material and clean lower unit.

Q. Is fuel system obstructed?

A. Check for pinched or kinked fuel line or other obstructions in fuel system.

Q. Is fuel filter clogged?

A. Clean or replace filter.

Q. Is fuel contaminated or stale?

A. Fill tank with clean, fresh fuel.

Q. Is spark plug gap incorrect?

A. Replace spark plug.

Q. Is spark plug wiring damaged or poorly connected?

A. Check wires for wear or breaks. Tighten all loose connections. Replace worn or broken wires.

Q. Are electrical parts malfunctioning?

A. Have serviced by a Yamaha dealer.

Q. Is specified fuel not being used?

A. Replace fuel with specified type.

Q. Is specified engine oil not being used?

A. Check and replace oil with specified type.

Q. Is thermostat malfunctioning or clogged?

A. Have serviced by a Yamaha dealer.

Q. Is air vent screw tightened?

A. Loosen air vent screw.

Q. Is fuel pump malfunctioning?

A. Have serviced by a Yamaha dealer.

Q. Is fuel joint connection incorrect?

Trouble Recovery

A. Connect correctly.

Engine vibrates excessively.

Q. Is propeller damaged?

A. Have propeller repaired or replaced.

Q. Is propeller shaft damaged?

A. Have serviced by a Yamaha dealer.

Q. Are weeds or other foreign material tangled on propeller?

A. Remove and clean propeller.

Q. Is steering pivot loose or damaged?

A. Have serviced by a Yamaha dealer.

EMU29434

Temporary action in emergency

EMU29442

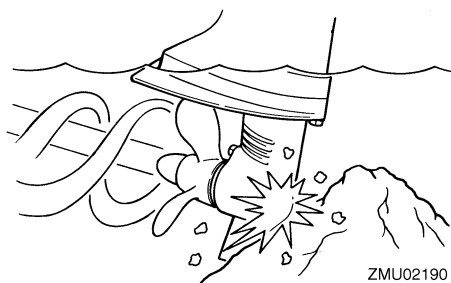
Impact damage

EWM00871

WARNING

The outboard motor can be seriously damaged by a collision while operating or trailering. Damage could make the outboard motor unsafe to operate.

If the outboard motor hits an object in the water, follow the procedure below.



1. Stop the engine immediately.

2. Check the control system and all components for damage. Also, check the boat for damage.

3. Whether damage is found or not, return to the nearest harbor slowly and carefully.

4. Have a Yamaha dealer check the outboard motor before operating it again.

EMU39792

Starter will not operate

If the starter mechanism does not operate (the engine cannot be cranked with the starter), the engine can be started with an emergency starter rope.

EWM02362

WARNING

- Use this procedure only for emergency engine starting to return to the nearest port for repairs.
- When the emergency starter rope is used to start the engine, the start-in-gear protection device does not operate. Make sure that the shift lever is in the neutral position. Otherwise, the boat could unexpectedly start to move, which could result in an accident.
- Attach the engine shut-off cord to a secure place on your clothing, or your arm or leg while operating the boat.
- Do not attach the cord to clothing that could tear loose. Do not route the cord where it could become entangled, preventing it from functioning.
- Avoid accidentally pulling the cord during normal operation. Loss of engine power means the loss of most steering control. Also, without engine power, the boat could slow rapidly. This could cause people and objects in the boat to be thrown forward.

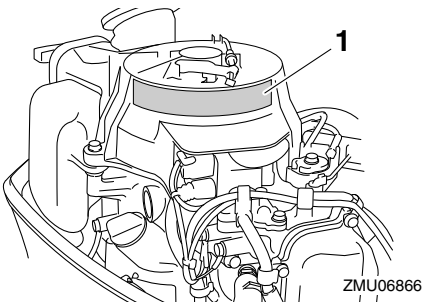
Trouble Recovery

- Make sure that no one is standing behind you when pulling the starter rope. It could whip behind you and injure someone.
- An unguarded, rotating flywheel is very dangerous. Keep loose clothing and other objects away when starting the engine. Use the emergency starter rope only as instructed. Do not touch the flywheel or other moving parts when the engine is running. Do not install the starter mechanism or top cowling after the engine is running.
- Do not touch the ignition coil, spark plug wire, spark plug cap, or other electrical components when starting or operating the outboard motor. You could get an electrical shock.

EMU39534

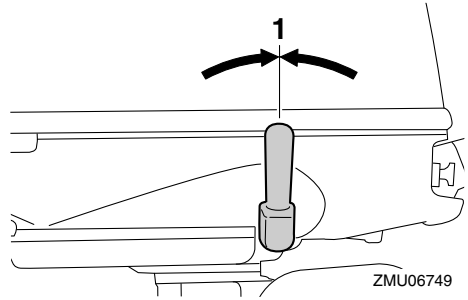
Emergency engine starting

Before performing the following procedure, make sure to read the emergency starting label on the manual starter/flywheel magnet cover.

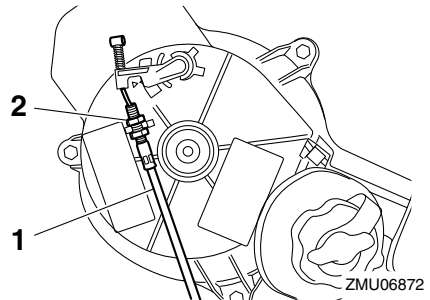


1. Emergency starting label

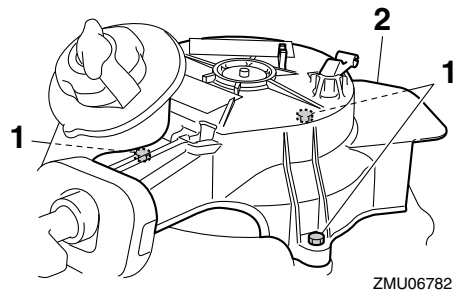
1. Move the gear shift lever to the neutral position.



1. Neutral position
2. Remove the top cowling.
3. Loosen the nut, and then disconnect the start-in-gear protection cable.

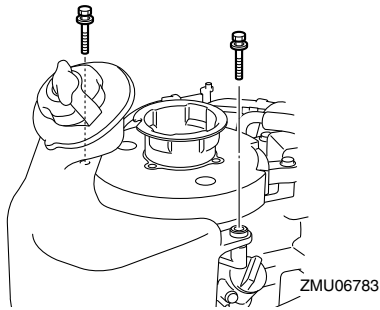


1. Start-in-gear protection cable
2. Nut
4. Remove the manual starter/flywheel magnet cover by removing the bolts.

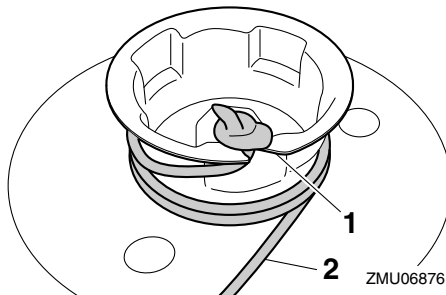


1. Bolts
2. Manual starter/flywheel magnet cover
5. Reinstall 2 bolts to secure the fuel tank.

Trouble Recovery

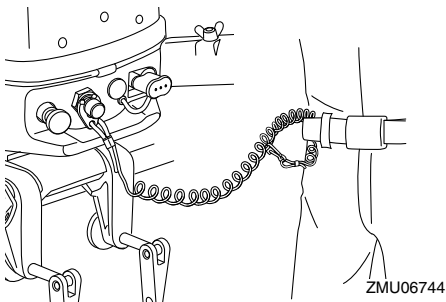


6. Insert the knotted end of the emergency starter rope into the notch in the flywheel magnet and wind the rope several turns around the flywheel magnet clockwise.

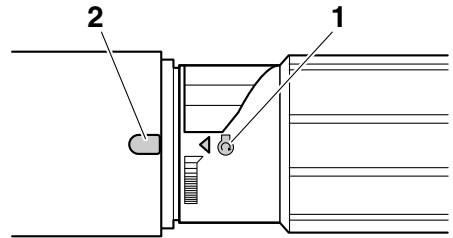


1. Notch
2. Emergency starter rope

7. Attach the engine shut-off cord to a secure place on your clothing, or your arm or leg. Then, install the clip on the other end of the cord to the engine shut-off switch.

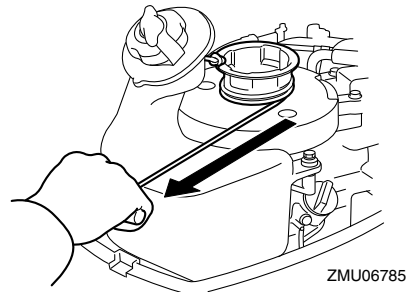


8. Align the engine start mark "⊖" on the throttle grip with the notch in the tiller handle.



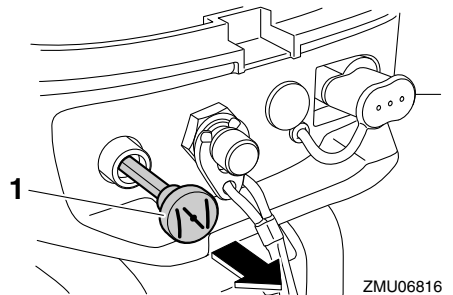
1. Start mark "⊖"
2. Notch

9. Give a strong pull straight out to crank and start the engine.



TIP:

If the engine does not start after several attempts, pull out the choke knob.



1. Choke knob

EMU33502

Treatment of submerged motor

If the outboard motor is submerged, immediately take it to a Yamaha dealer. Otherwise some corrosion may begin almost immediately. **NOTICE: Do not attempt to run the outboard motor until it has been completely inspected.** [ECM00402]

INDEX

- A**
- Alcohol and drugs..... 2
 - Anode (external), inspecting and replacing..... 60
 - Anti-fouling paint 12
 - Avoid collisions..... 2
- B**
- Battery requirements 10
 - Boat horsepower rating 10
 - Boating safety..... 2
 - Boating safety publications 3
 - Breaking in engine 24
- C**
- Carbon monoxide 2
 - Carrying handle 20
 - CE Marking 4
 - Checks after engine warm up..... 34
 - Checks after starting engine..... 33
 - Checks before starting engine..... 24
 - Choke knob 17
 - Clamping the outboard motor 23
 - Cleaning the outboard motor 48
 - Components diagram..... 13
 - Control functions, checking..... 25
 - Cooling water 33
 - Cowling lock lever 19
 - Cruising in salt water or other conditions..... 42
- D**
- Dismounting and transporting the outboard motor 43
- E**
- EC Declaration of Conformity (DoC)..... 4
 - Electric shock 1
 - Electrical connectors and leads, checking 57
 - Emergency engine starting 64
 - Emergency equipment 12
 - Emergency, temporary action in..... 63
 - Engine, checking 27
 - Engine oil 26
 - Engine oil, changing 55
 - Engine oil, filling 24
 - Engine oil requirements 11
 - Engine shut-off cord (lanyard) 1, 26
 - Engine shut-off cord (lanyard) and clip..... 17
 - Engine stop button 17
- F**
- Filling fuel..... 28
 - First-time operation 24
 - Flushing in a test tank..... 46
 - Fuel cock 14
 - Fuel filter, checking..... 54
 - Fuel joint cap 18
 - Fuel leaks, checking for..... 25
 - Fuel level..... 25
 - Fuel requirements 11
 - Fuel system..... 25
 - Fuel tank (built-in fuel tank) 13
 - Fuel tank (portable fuel tank) 14
- G**
- Gasoline 1, 11
 - Gasoline exposure and spills..... 1
 - Gear oil, changing..... 59
 - Gear shift lever..... 15
 - Greasing 53
- H**
- Hot parts..... 1
- I**
- Identification numbers record..... 4
 - Idle speed, inspecting..... 55
 - Impact damage..... 63
 - Installation requirements 10
- L**
- Laws and regulations..... 3
 - Lubrication 48

M	
Maintenance chart 1	50
Maintenance chart 2	52
Manual starter handle	18
Modifications	2
Mounting height	22
Mounting the outboard motor	10, 21
O	
Operating engine	29
Outboard motor disposal requirements	12
Outboard motor (painted surface), checking	48
Outboard motor safety	1
Outboard motor serial number	4
Overloading	2
P	
Passenger training	3
Passengers	2
People in the water	2
Periodic maintenance	49
Personal flotation devices (PFDs)	2
Propeller	1
Propeller, checking	57
Propeller, installing	58
Propeller, removing	58
Propeller selection	10
R	
Read manuals and labels	6
Replacement parts	49
Rotating parts	1
S	
Sending fuel	30
Severe operating conditions	49
Shallow water	40
Shifting	34
Shifting (checks after engine warm up)	34
Spark plug, cleaning and adjusting	54
Specifications	9
Starter will not operate	63
Starting engine	31
Start-in-gear protection	11
Steering friction adjuster	18
Stop switches	34
Stopping boat	35
Stopping engine	35
Storing outboard motor	46
Submerged outboard motor	66
T	
Throttle friction adjuster	16
Throttle grip	16
Throttle indicator	16
Tiller handle	15
Tilt lock mechanism	19
Tilt support bar	19
Tilting up and down	38
Top cowling, installing	27
Top cowling, removing	25
Transporting and storing outboard motor	43
Trim rod (tilt pin)	19
Trimming outboard motor	36
Troubleshooting	61
W	
Warming up engine	34
Warning labels	6
Weather	3



Printed in Thailand
February 2018